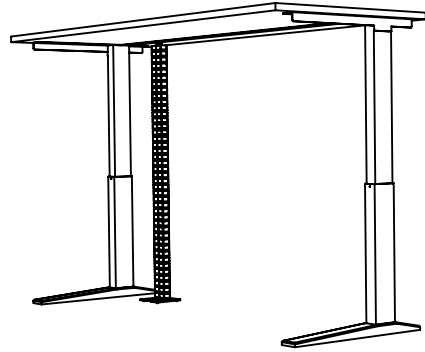


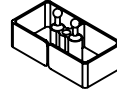
CUBE MX FREESTANDING DESK INSTALLATION INSTRUCTIONS



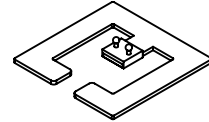
Cable Snake Kit Contents:



1 x Easy-Desk-2B
2 x Screws



1 x 1.25m Cube MX String
(42x Chain Links)



1 x Easy-Floor

Optional accessory



1 x E-Mag-2B

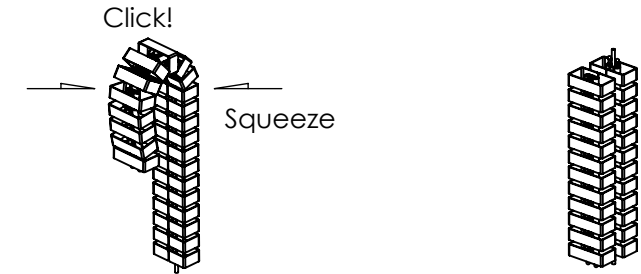
Freestanding Kit Part Numbers:

BLACK 147200

WHITE 147201

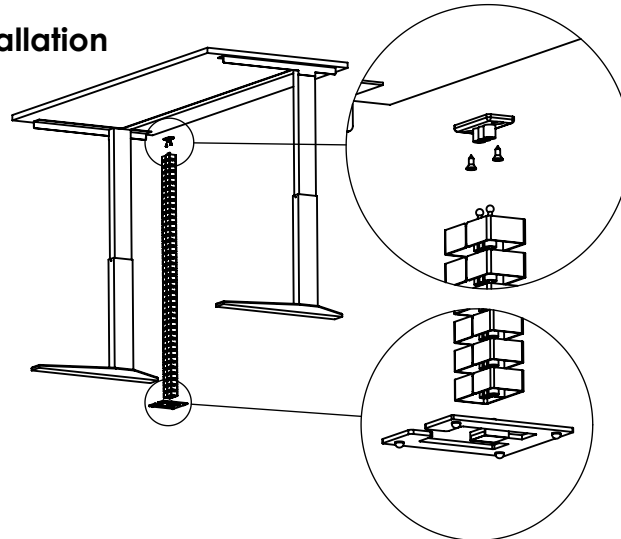
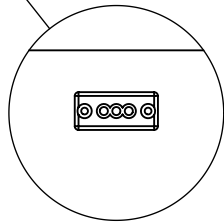
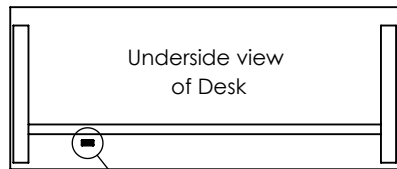
SILVER 147202

Shortening Chain Links



Determine required length. Roll Chain Links over itself and squeeze together. Chain links will separate.

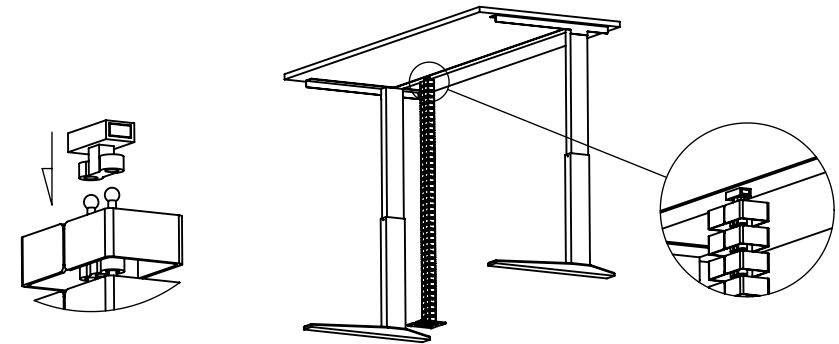
Easy-Desk-2B & Easy-Floor Installation



Choose the location of the Easy-Desk-2B on the underside of the Desk. Please take note where the cables are located on the desk and where the connection is originating from.

Fix the Easy-Desk-2B with the 2 x screws provided. Once secure, insert the Pins of the Cable Snake Chain Link into the Easy-Desk-2B. Force may be required to engage the Pins into the bracket. Apply the same technique to assemble the Easy-Floor.

Optional Magnet installation with E-Mag-2B



Assemble the E-Mag-2B onto the 2 x Pins of the Cable Snake Chain Link.

Locate a horizontal metal section of the desk frame where the magnet can be attached. To test the strength of the attachment, pull the assembly straight down. If the attachment of the magnet is not secure, test another location along the metal frame and repeat the test.