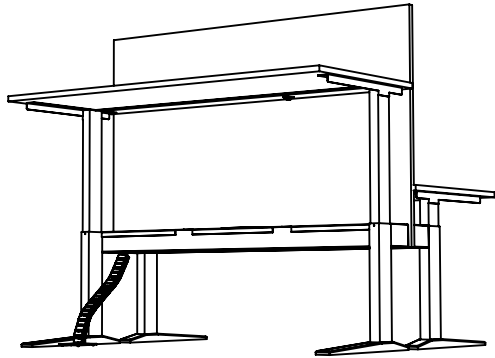
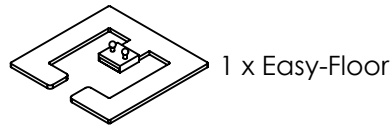
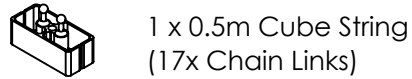
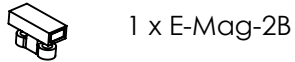


CUBE FLOOR TO CHANNEL INSTALLATION INSTRUCTIONS



Cable Snake Kit Contents: FLOOR TO CHANNEL



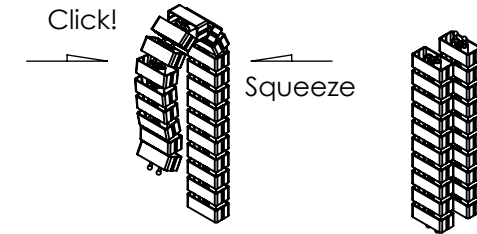
Floor to Channel Kit Part Numbers

BLACK 147270

WHITE 147271

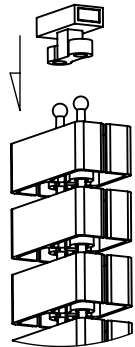
SILVER 147272

Shortening Chain Links

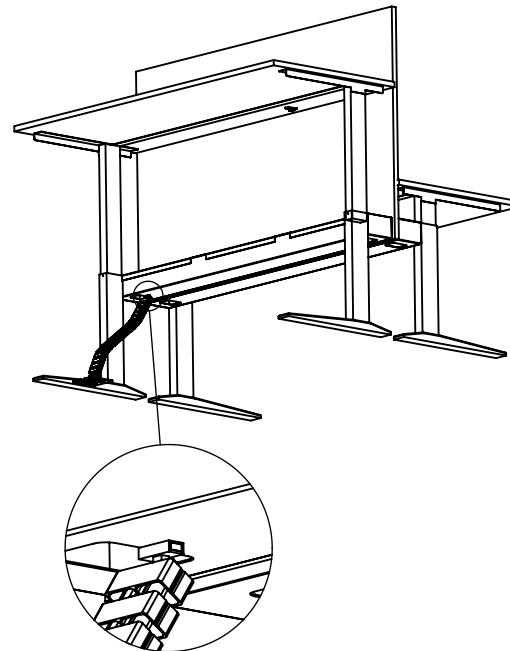


Determine required length. Roll Chain Links over itself and squeeze together. Chain links will separate.

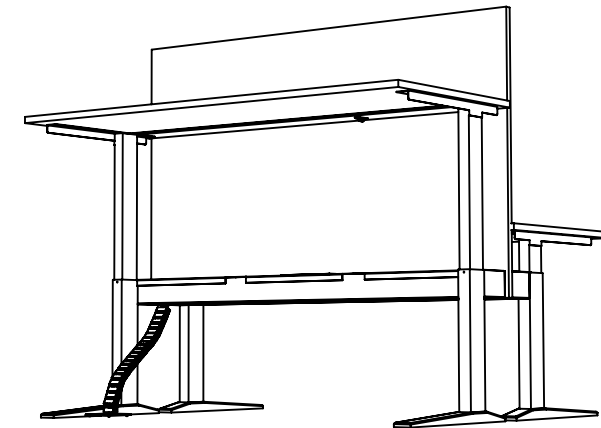
Floor To Channel Installation



Assemble the E-Mag-2B onto the 2x Pins of the Cable Snake Chain Link. Click the 2 pins of the Easy-Floor into the opposite (female) end of the Cable Snake Chain Link.



Locate the magnet to the underside of the channel near the opening where the cables enter / exit the channel



*Note: Magnets will not stick to aluminium components

147377 Cable-Snake-Cube C2FI Fitting I / Rev A. 151113