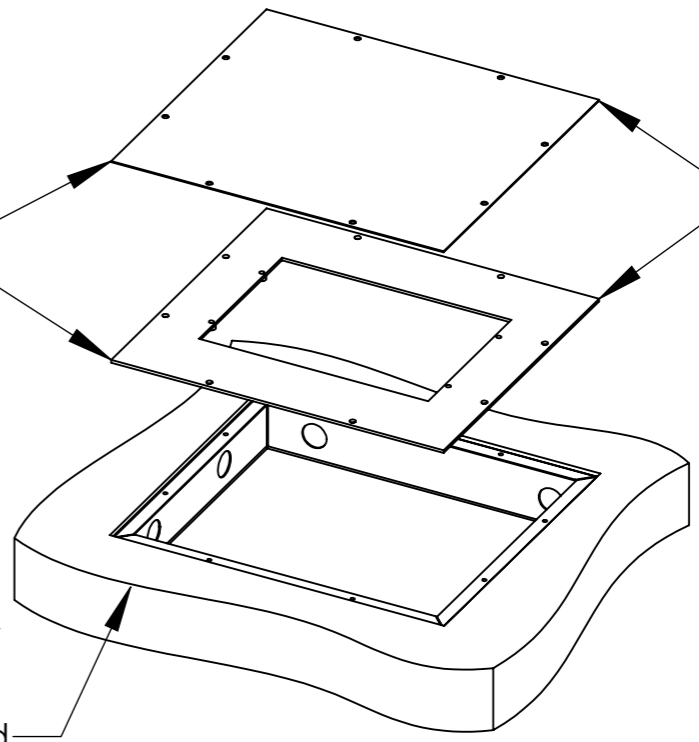


1

A - Remove temporary lid and support panel

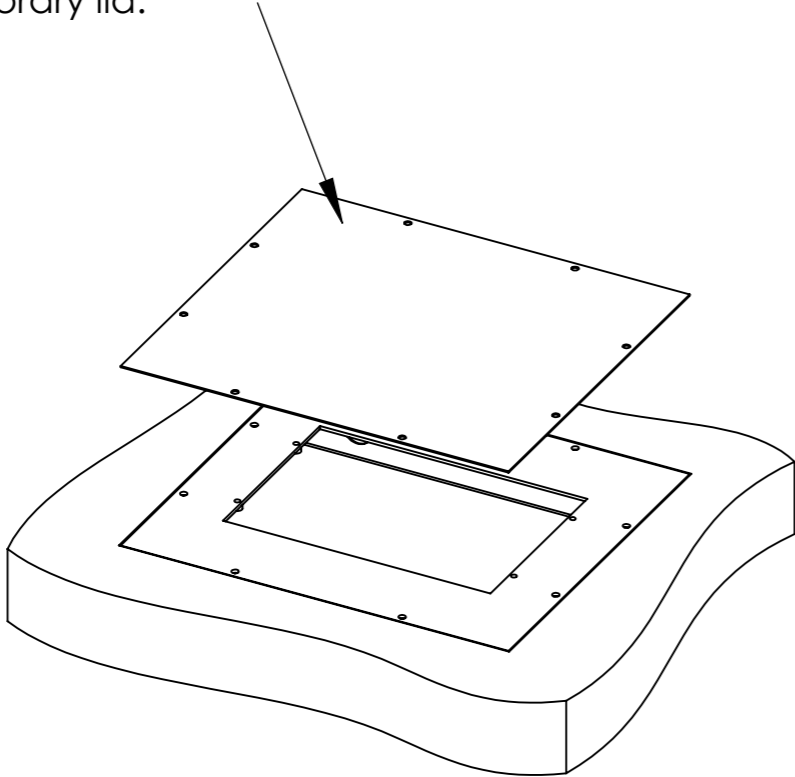
B - Install screed box securely and attach conduit or services, ensuring that any open holes are covered

C - Reattach temporary lid and support panel in preparation for the concrete pour.



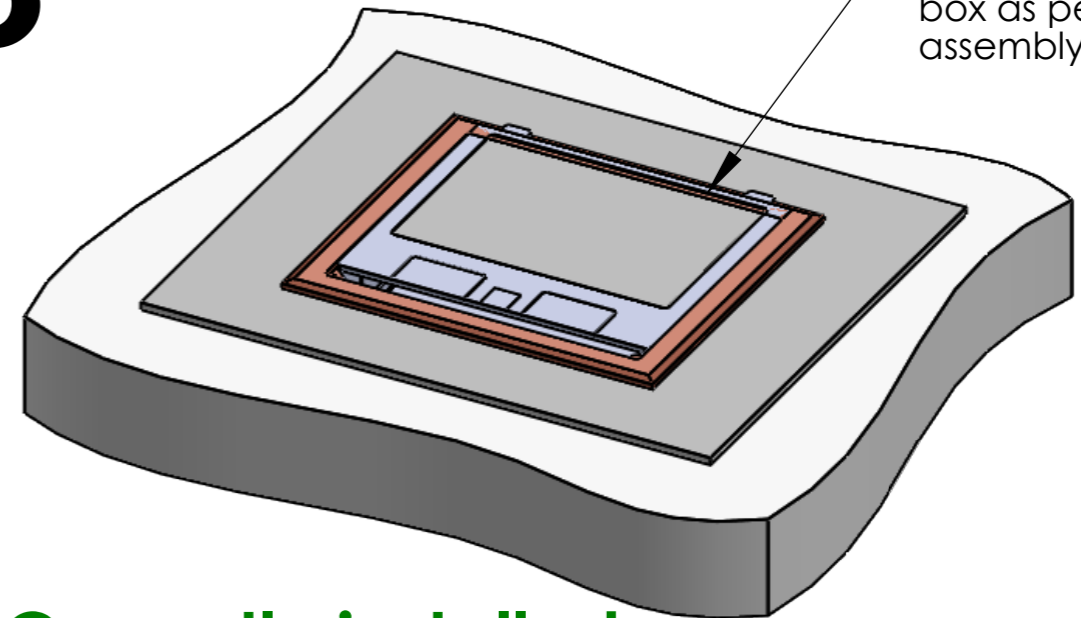
2

Once the concrete has cured remove and discard the temporary lid.



3

Install the Harrier floor box as per standard assembly instructions.



Correctly installed screed box and Harrier floor box.

