

# ARC H LD



The ARC H LD through surface wireless charger offers the ultimate in charging convenience. Designed for table thickness of 20-25 mm\*, ARC H LD can be installed without the need to cut into work surfaces.

OE's patented design uses a resonant coil to focus the energy field and provide maximum efficiency and the fastest possible charging speeds. ARC H LD is available in Basalt Grey with a Basalt Grey resonator pad or in Black with a White resonator pad.

With 15W of charging power ARC H LD is one of the fastest sub surface wireless chargers on the market, convenient for a full charge or a quick boost when you need it most.

An electronic alignment guide is separately available for surfaces 26 to 50mm thick.

## FEATURES

- 15 Watts of charging power
- Fast charge Samsung 10W & Apple 7.5W
- No cut installation
- Foreign object detection

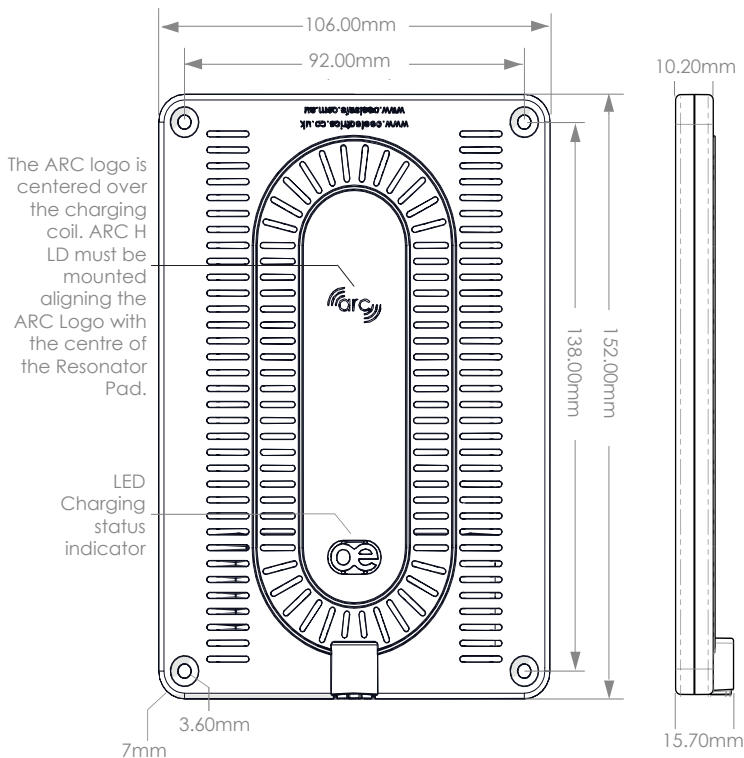


# ARC H LD TECHNICAL

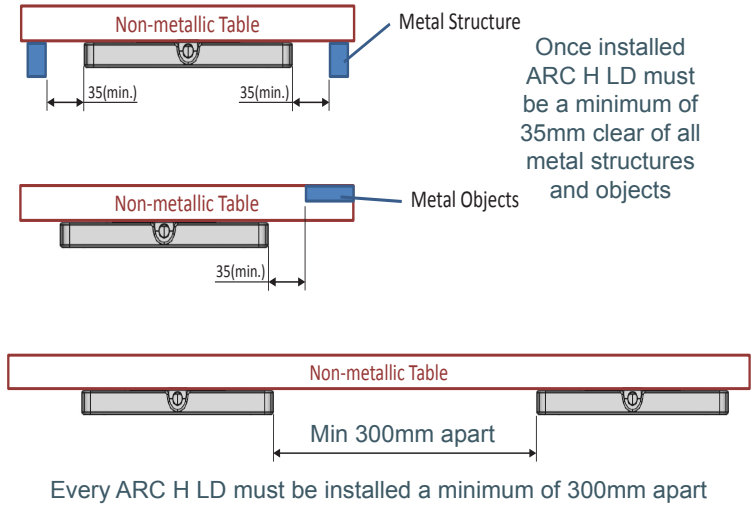
## SPECIFICATIONS:

Output Power	Up to 15W
Input Power	19V/0.94A
Standby Power	0.2W
Charging Range	20-50mm (coil to coil)
Desk Thickness	No under desk routing for surfaces between 20-50mm thick. Desks 26-50mm require an electronic alignment tool available from OE Elsafe
Certification	IEC 60950-1 (Safety) EN62311 (Health) EN 301 489-1, EN 301 489-3 (EMC)EN 303 417 (Radio)
In The Box	ARC H LD Wireless Charger (1) Power Adapter (1) Resonator Pad (1) Alignment Magnet (1) Alignment Magnet Card Template (1) Cable Clips (3) Installation Manual (1)
ARC-H LD	TBA (Order Code Number)

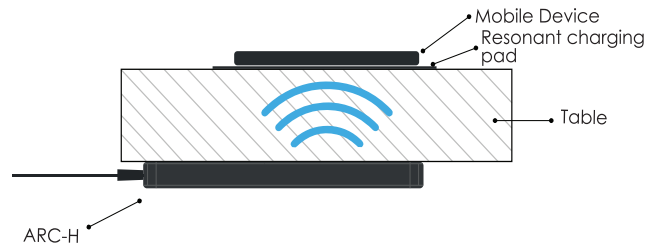
## DIMENSIONS:



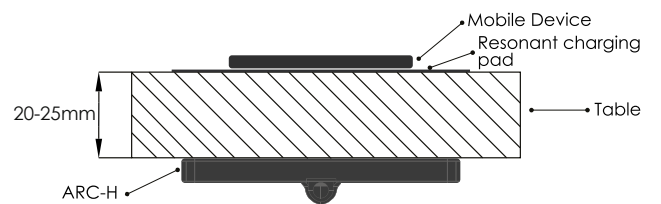
## INSTALLATION PLACEMENT:



## ARC H LD SIDE VIEW:



## ARC H LD FRONT VIEW:



For surface thicknesses 26-50 mm an electronic alignment guide is required and separately available from OE Elsafe.

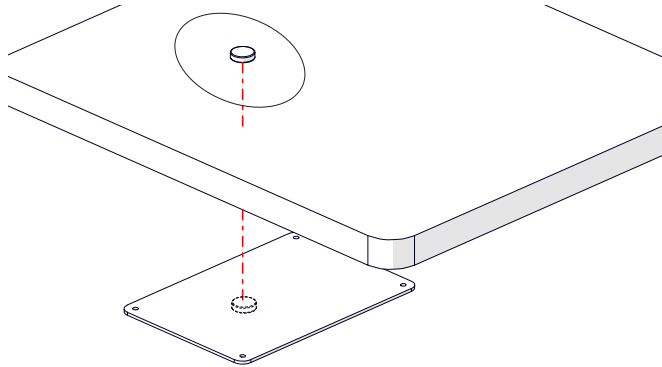


Scan or click [HERE](#) to view Installation Video. Accurate installation of ARC H LD optimises charging performance

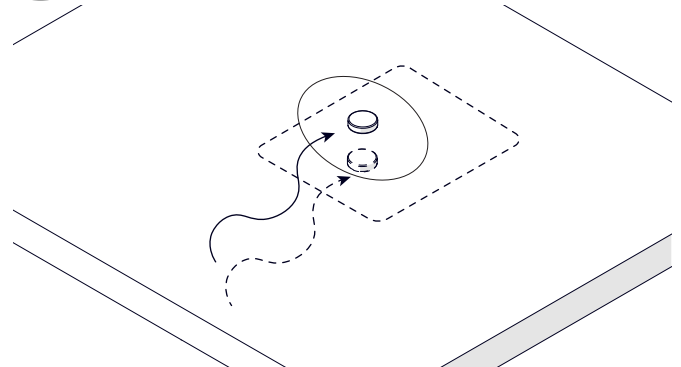
# ARC H LD INSTALLATION

ARC H LD is designed for surfaces 20-50mm thick. For surfaces 20-25mm use the in box magnetic alignment card and template. For surfaces 25-50mm an electronic alignment guide is separately available.

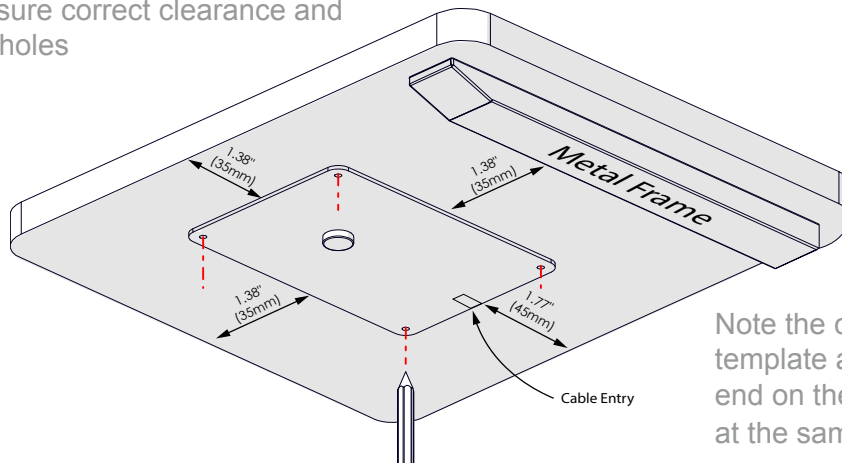
- 1 Centre loose magnet on resonator mat template and align magnets (thicknesses 20 -25mm)



- 2 Move aligned templates to desired location. Trace around surface template

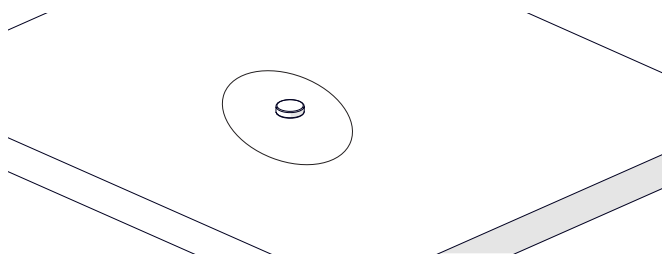


- 3 Adjust to ensure correct clearance and mark screw holes

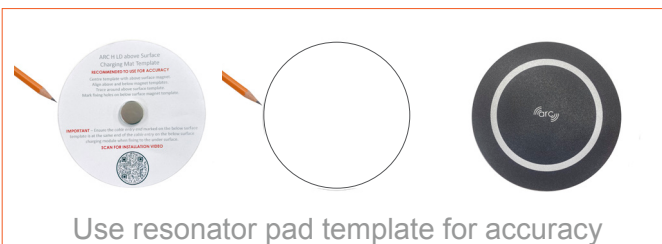
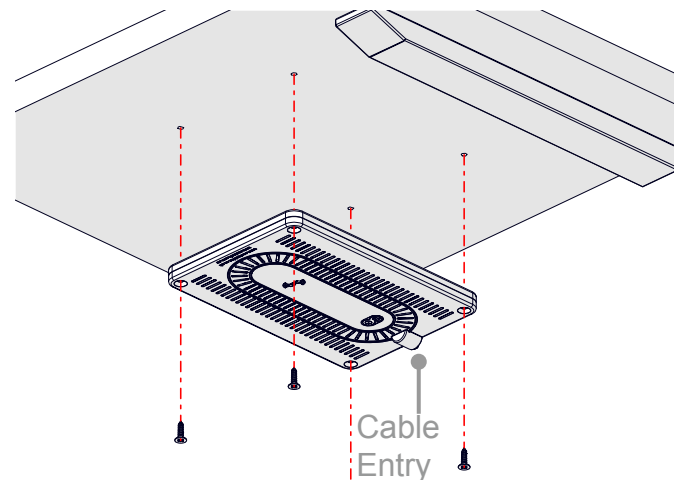


Note the cable entry on the template and ensure the cable end on the charging module is at the same end.

- 4 Place Resonator Pad where resonator pad template markings indicate

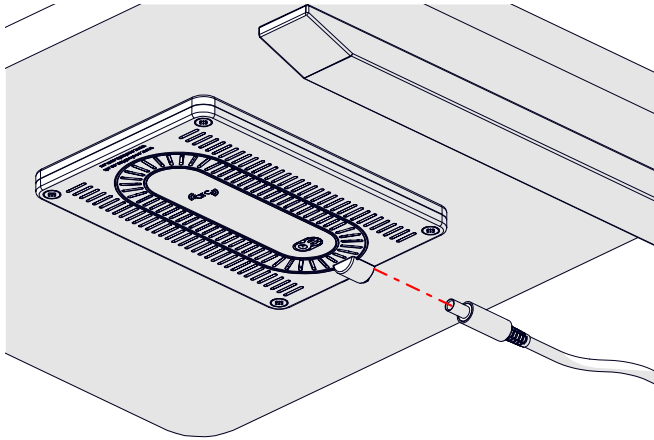


- 5 Fit ARC H LD with tape (provided) or screws. Ensure cable entry is the same end as the template cable entry

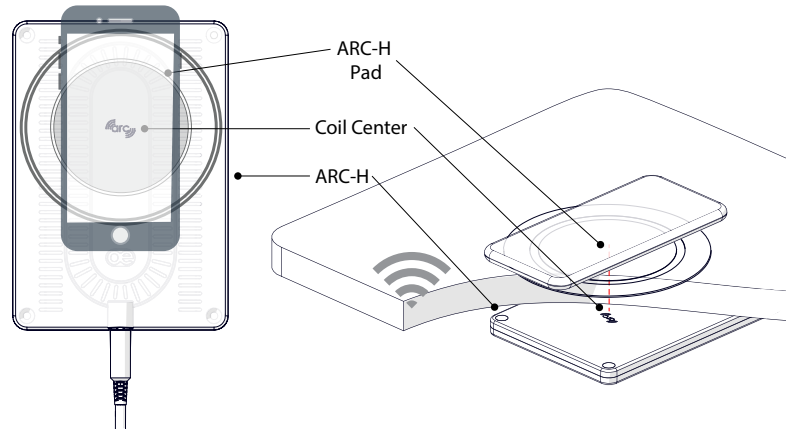


# ARC H LD INSTALLATION

6 Connect power and check for blue LED



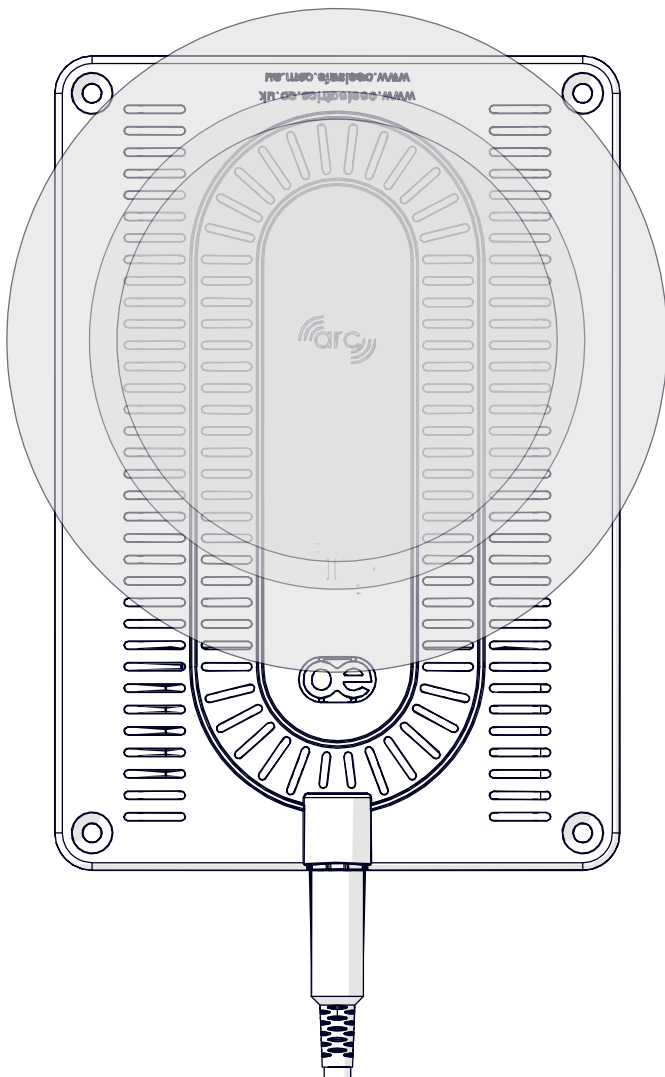
7 Place phone on the Resonator Pad to charge



The ARC logo identifies the coil center which must be aligned with the resonator pad

8 The ARC logo identifies the coil center which must be aligned with the Resonator Pad

9 Common queries / installation problems



Common queries

**The phone will not charge when I place the phone directly on the charger, to check it works before installation?**

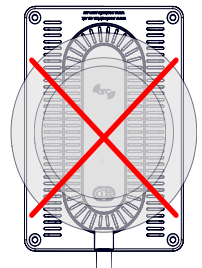
The charger will not charge a phone unless it is separated (and aligned) from the phone by at least 0.8"(20mm)

**The magnets will not attract each other through my desk?**

The magnets only work up to 1"(25mm). Either route the desk underside to <1" (25mm) thick or call to purchase the Electronic Alignment Guide

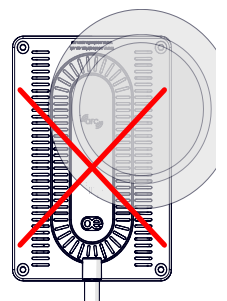
Common installation errors

Pad fitted over the center of the charger - WILL NOT WORK



The charging coil is Off-Center, the alignment guide must be used to guarantee accuracy

Pad misaligned - WILL NOT WORK  
The alignment guide must be used to guarantee accuracy



LED Functions

**Slow on/off blue** - Device is on and in stand-by mode

**Solid blue** - Device in on and in charging mode

**Red** - Error mode

- **Foreign Object Detected** - Remove metal from near charger

- **Phone is too close** - Move phone greater than 15mm away

- **Plug pack issue** - Use only original plug pack

- **NON-compatible device** - Upgrade phone