



ARC-G

ARC-G provides commercial grade wireless fast charging with the added convenience of an Ø80 mm grommet hole fitted with an OE Brush Grommet for cable feed. ARC-G is also available without the brush grommet for retro fitting to an existing PixelTUF power module.

Providing 10W of power ARC-G is one of the fastest wireless chargers on the market, fast charging wireless enabled phones on contact with a range to accommodate mobile phone cases up to 4 mm thick.

Available in black or white ARC-G is simple to install in an Ø80 mm cut-out, in surface thicknesses from 8-40mm.

Once installed ARC-G is convenient for either a full charge or a quick boost when you need it most!

ARC-G retro fitted to an existing PixelTUF



FEATURES

- Fast Charge up to 10W
- Fast Charge Apple & Samsung
- Retrofit to an existing Pixel/PixelARC
- Easy Installation into Ø80 mm Cutout



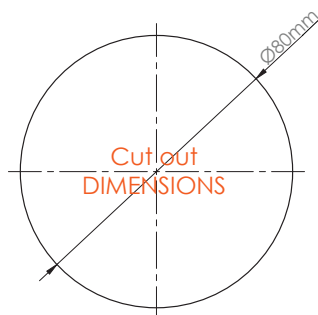
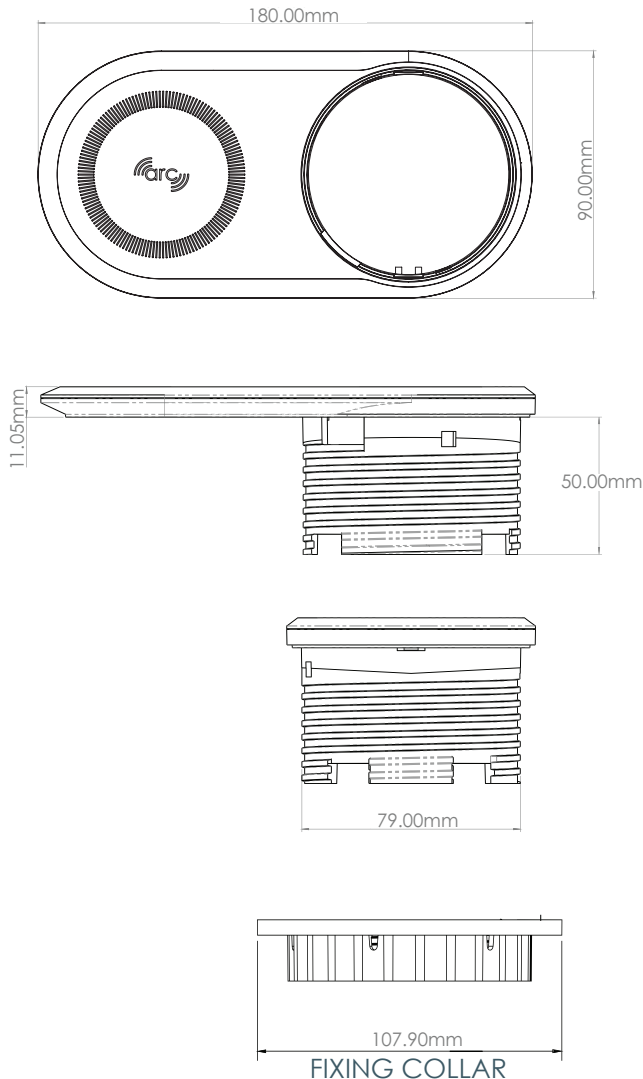
ARC-G is available with an Ø80 mm grommet opening for retro fitting to PixelTUF

ARC-G INSTALLATION

ARC-G fits a standard Ø80 mm grommet hole, secured in place by hand tightening the fixing collar. No tools are required once the grommet hole is cut.

ARC-G is designed and intended for commercial use.

ARC-G DIMENSIONS



Output power:	10W Max
Input power:	15W max (DC5V 2A / 9V 1.67A)
Standby power:	0.1 W
Charging distance:	Up to 4mm to accommodate phone case
Surface cutout size:	80 mm diameter
Desk thickness:	8-40mm
Certification:	Qi, IEC60950-1 (Safety), EN 301 489-1 (EMC), EN 303 417 (Radio), EN62311 (Health), ROHS
Housing material:	Polycarbonate
Available colours:	Black or white
In the box:	ARC-G wireless charger. Two metre micro USB cable. 3-pin plug pack. 1 fixing collar



ARC-G comes standard with an OE Brush Grommet or open for retro fitting to an existing PixelTUF module.

