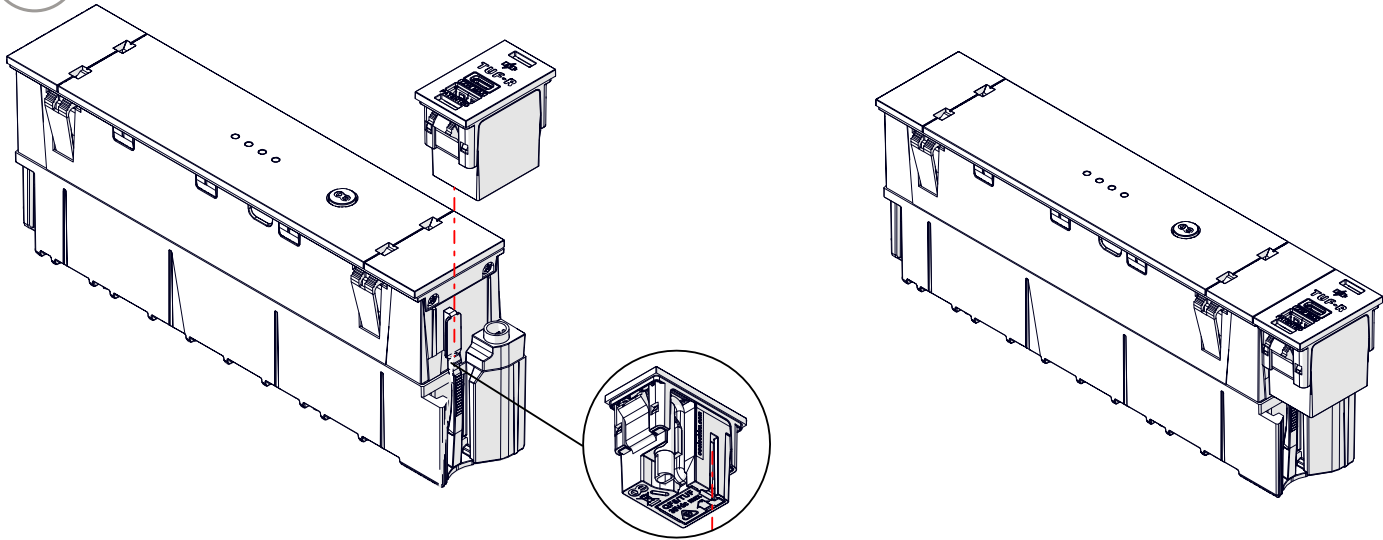
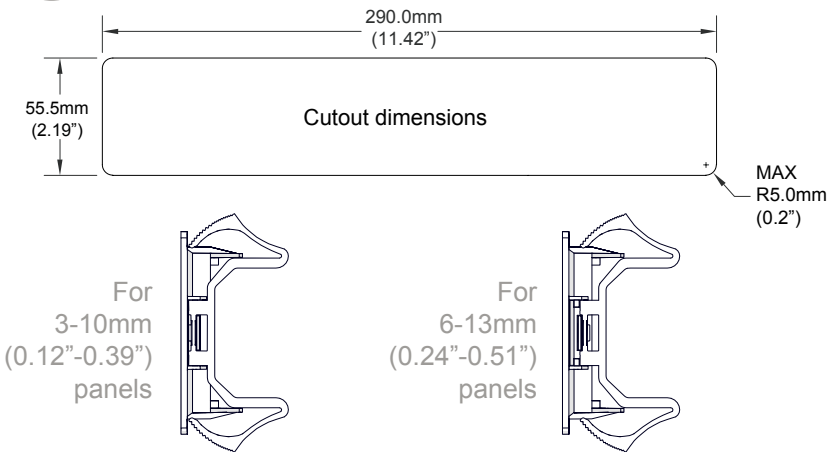


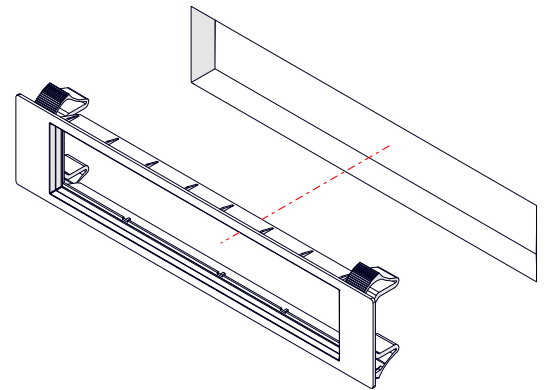
1 Align QF05 TUF HP with QIKPAC and clip in to place



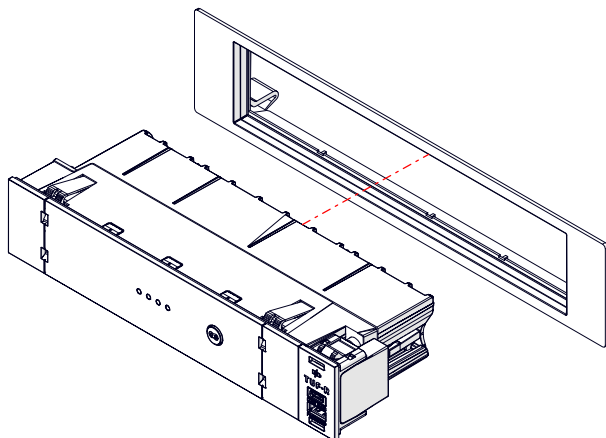
2 Thick Panel Frame Cutout Dimensions



3 Place Thick Panel Frame into cutout



4 Place assembled modules into Thick Panel Frame



5

