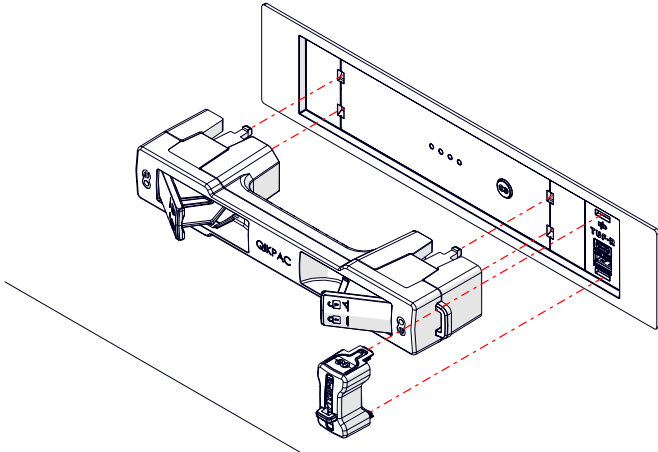
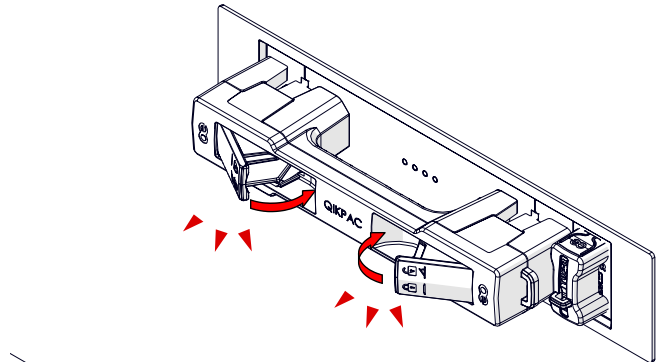


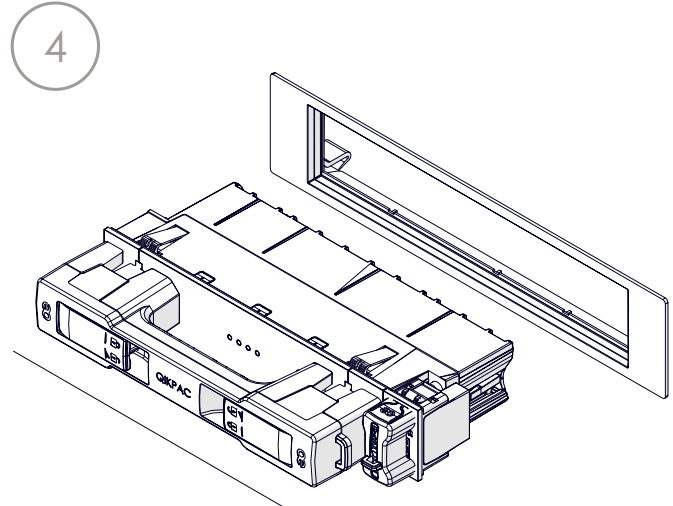
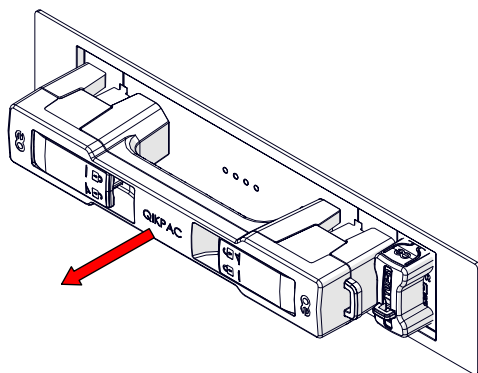
1 To remove align QikPAC and QF5 TUF-R HP removal tools with modules. QF5 removal tool slots into place next to QikPAC removal tool



2 Push in clips on QikPAC removal tool until click is heard

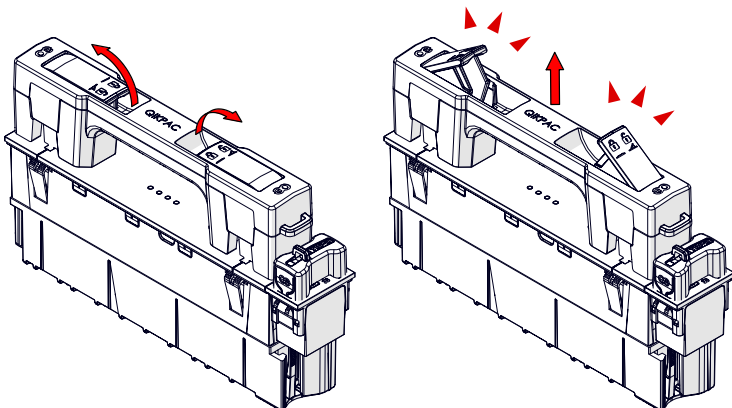


3 Pull QikPAC removal tool to remove both modules together

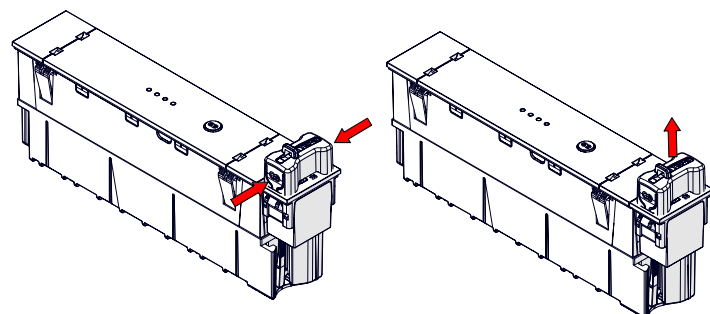


Removing the tools

1 Raise clips on QikPAC removal tool until double click is heard and pull to remove



2 Squeeze top and bottom of QF5 removal tool and pull to remove



Release QF5 TUF HP from QikPac

1 Press spring lock on right hand side of QikPac and slide QF5 TUF HP up

