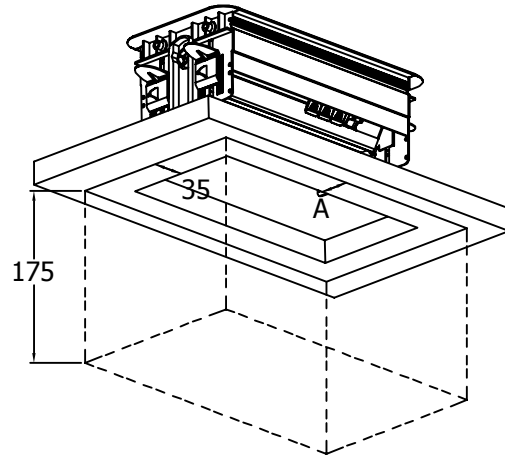




Optional

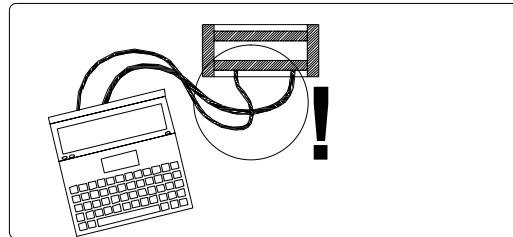
**Underdesk clearance**



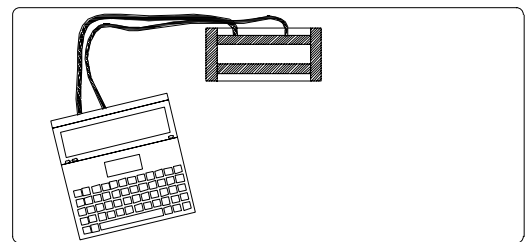
A = 35 mm   
 A = 60 mm 

**WORKSTATION ORIENTATION**

Consider cable exit direction when unit closed

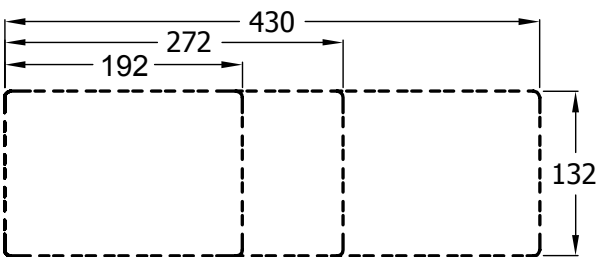


Or

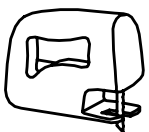


**Cutout Dimensions**

Three standard sizes



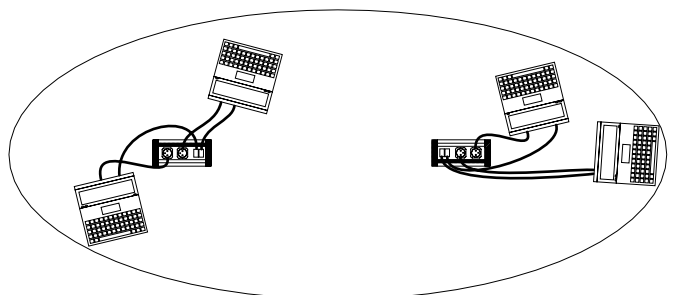
10



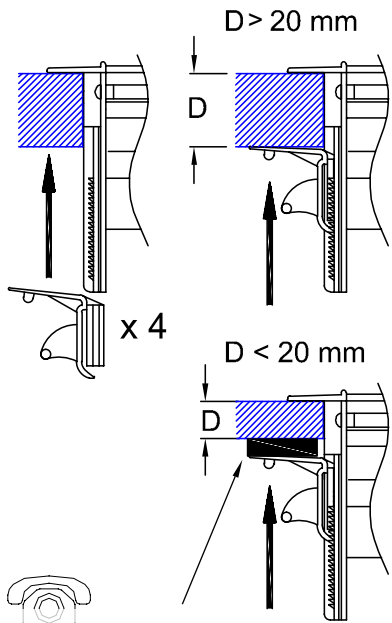
For non-standard sizes please call: 1300 357 233 (Australia)

**CONFERENCE**

Unit can be accessed from both sides when open

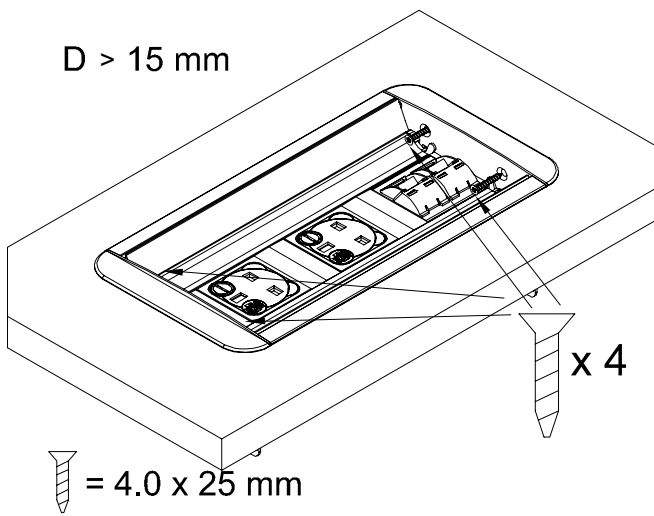


# Fixing

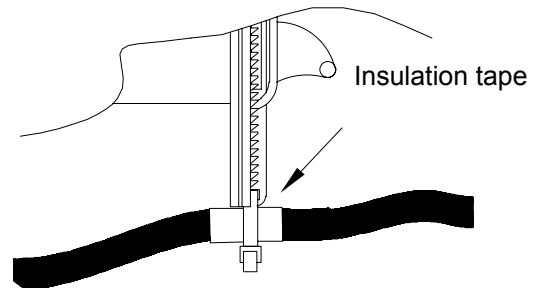
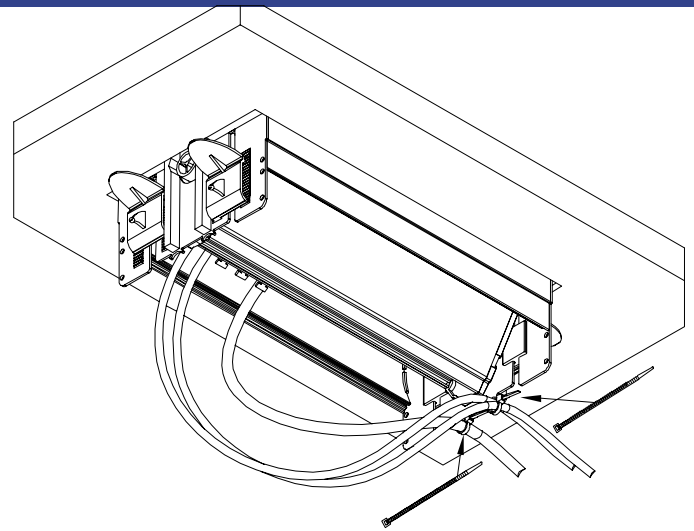
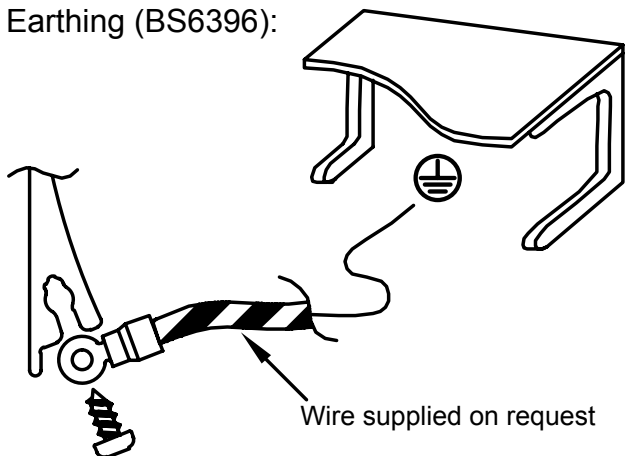


1300 357 233 (AUSTRALIA)  
367255 Ratchet spacer

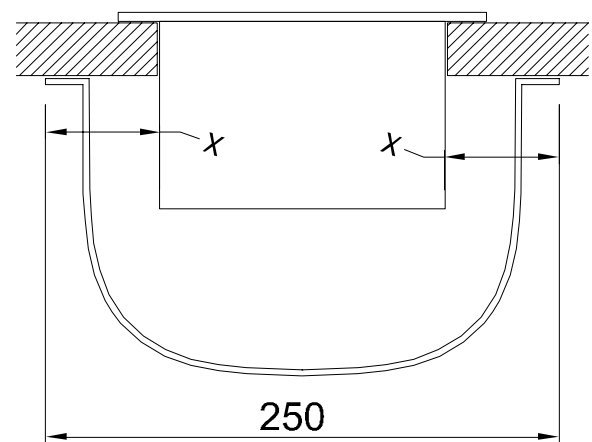
Or / Ou / Oder



Earthing (BS6396):



Optional cover



X = 59 mm

Queries 1300 357 233 (AUSTRALIA)

