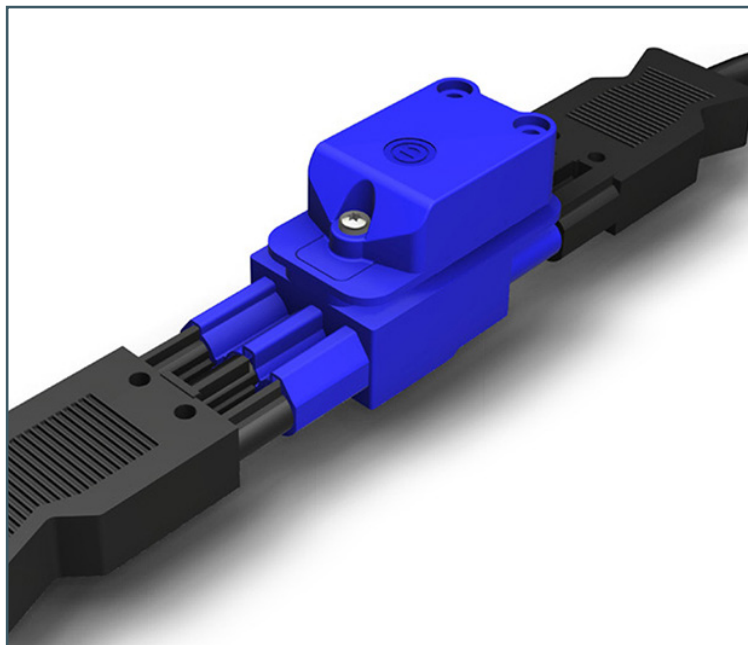


159050 - J-Coupler Surge Protection



J-Coupler Surge Protection is the right choice for:-

- Low lightning prone areas (one ground strike per km² per year)
- Office environments with no heavy current equipment in the vicinity.
- Locations with reliable, stable grid power.

Surge Protection in easy to fit in-line J coupler housing:-

- Provides 6.5kA protection.
- Dual Active to Neutral and Neutral to Earth protection for protection from differential and common mode surges.
- 20A throughput capacity.
- Thermal fuse to protect against further damage after a power surge.
- Easy to fit J-Coupler provides nearby protection for workstations

