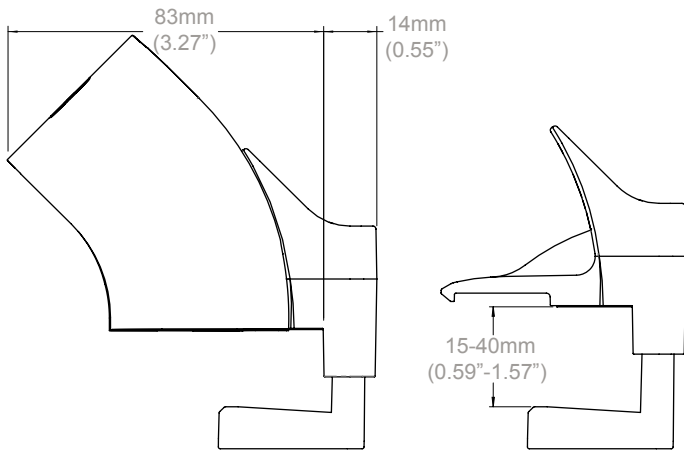
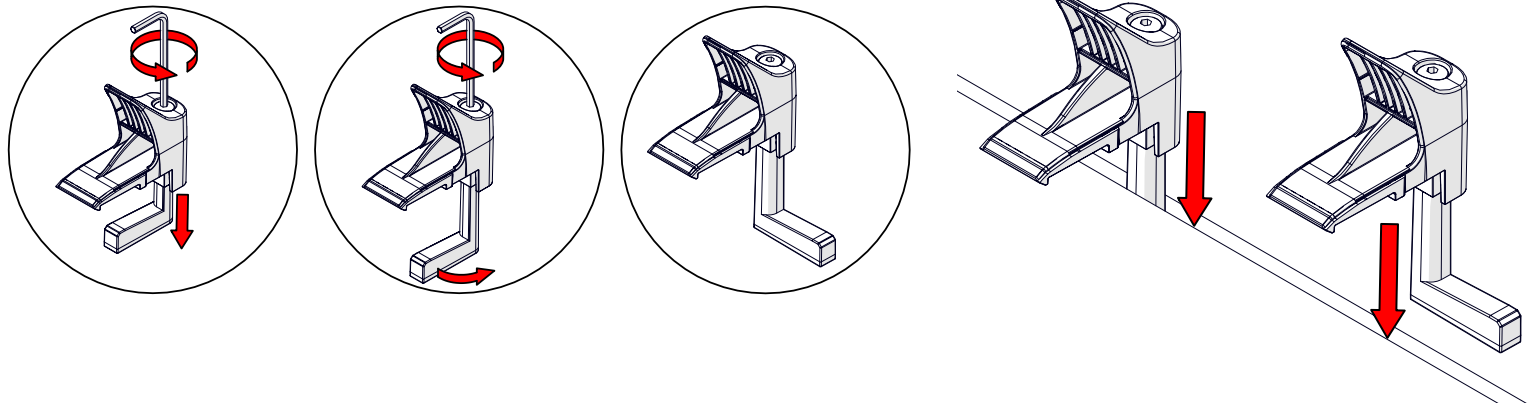


Bracket dimensions

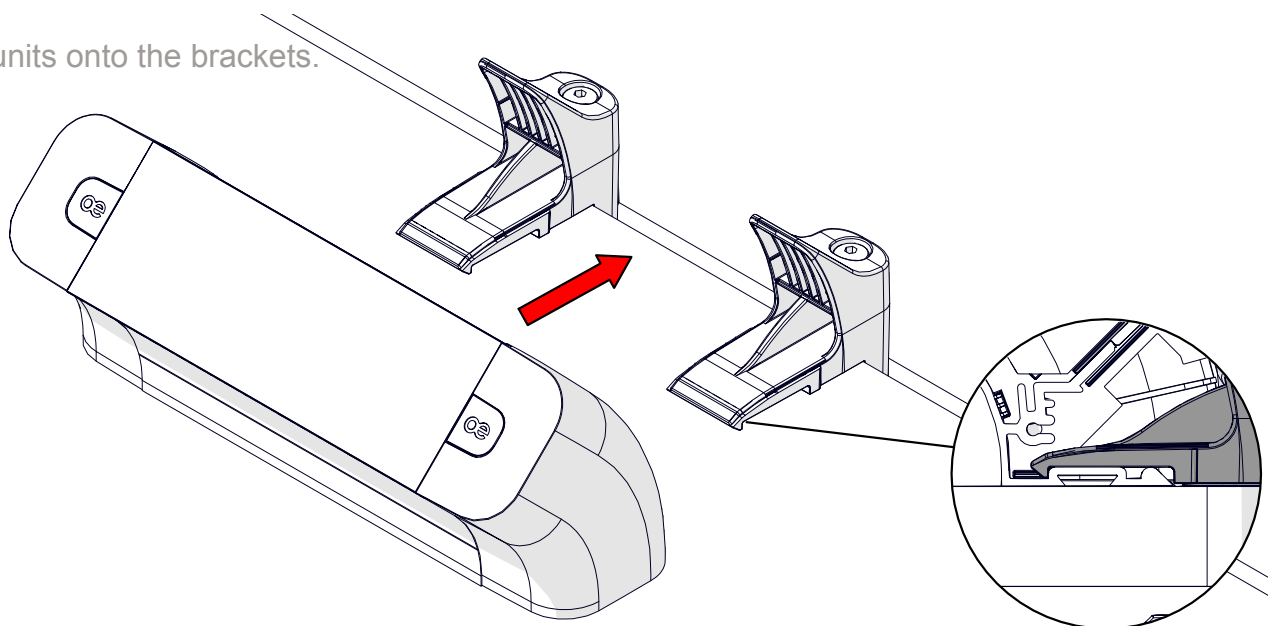


1 Loosen bolts in the brackets.

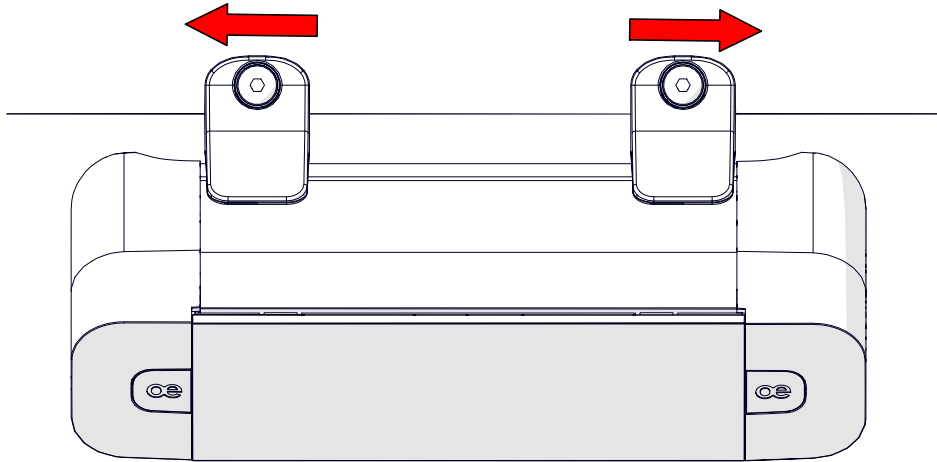
2 Fit brackets down the back of the surface.



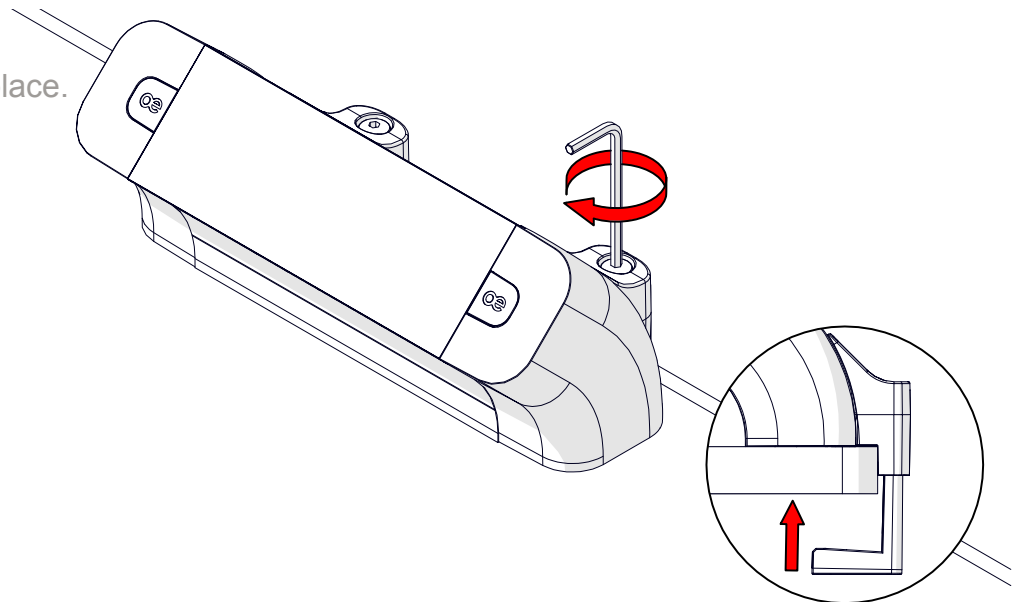
3 Fit PACE units onto the brackets.



- 4 Slide brackets out to the furthest point on each side



- 5 Tighten brackets in place.



- 6

