



# INSTR1337

## PIP<sup>2</sup> & PIP<sup>3</sup> INSTALLATION INSTRUCTIONS

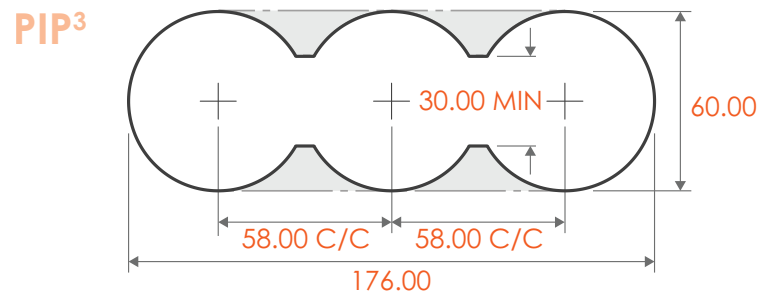
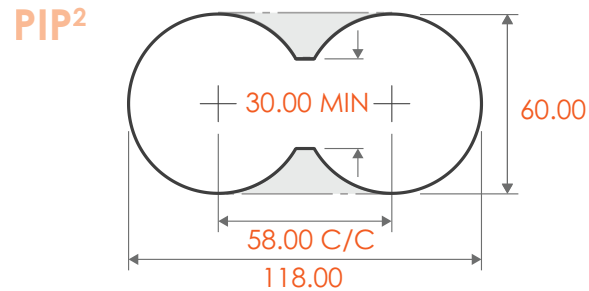
### CUTOUT DIMENSIONS

There are two methods to install PIP<sup>2</sup> and PIP<sup>3</sup> into a surface;

1. ROUTING CUTOUT
2. MANUAL HOLESAW CUTOUT

The first involves routing a slot into the installation surface - 118 x 60mm for PIP<sup>2</sup>, and 176 x 60mm for PIP<sup>3</sup>.

The second method is easier for on-site installation - Drill two Ø60mm holes (or three holes for PIP<sup>3</sup>) spaced 58mm apart centre to centre, then create a 30mm (MIN) channel between with a saw.



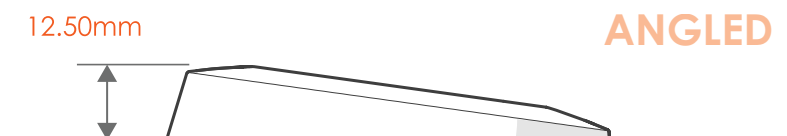
### FLUSH OR ANGLED INSTALLATION

PIP<sup>2</sup> and PIP<sup>3</sup> are available with either FLUSH MOUNT fascia (see "FLUSH INSTALLATION") or with an ANGLED MOUNT fascia (see "ANGLED INSTALLATION").

Both installation options use the same cut-out, but the way in which the unit is positioned in the cut-out changes depending on which fascia bezel you use; FLUSH or ANGLED.

Required clearance from surface:  
FLUSH FASCIA: 62.00mm\*  
ANGLED FASCIA: 59.50mm\*

\*Power only - additional clearance required for data/av)

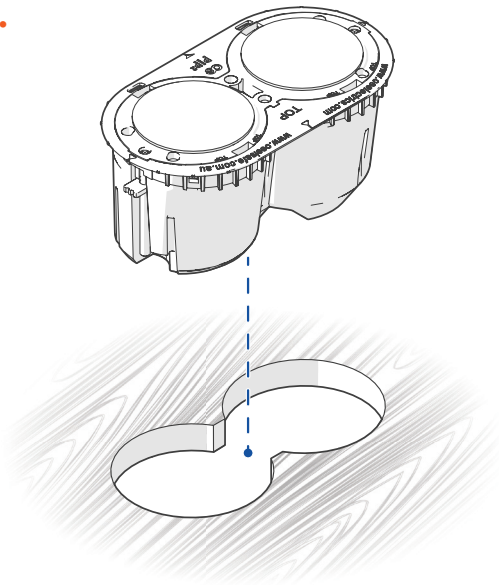




### FLUSH INSTALLATION

For installation into surfaces (3.5mm 38.0mm thick) the procedure is as follows:

1.



**STEP 1.**

Place the unit into the cut-out. The socket fascias should be parallel to the installation surface.

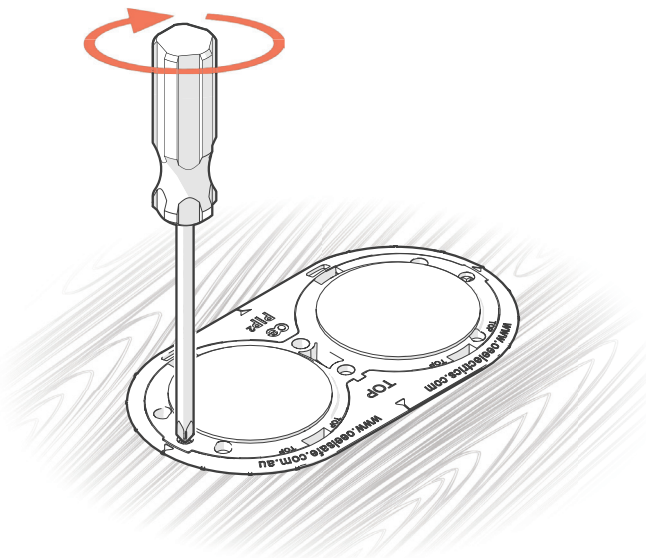
**STEP 2.**

Using a Phillips screwdriver, tighten the two Phillips screws on the top of the unit until secure. **DO NOT OVERTIGHTEN**

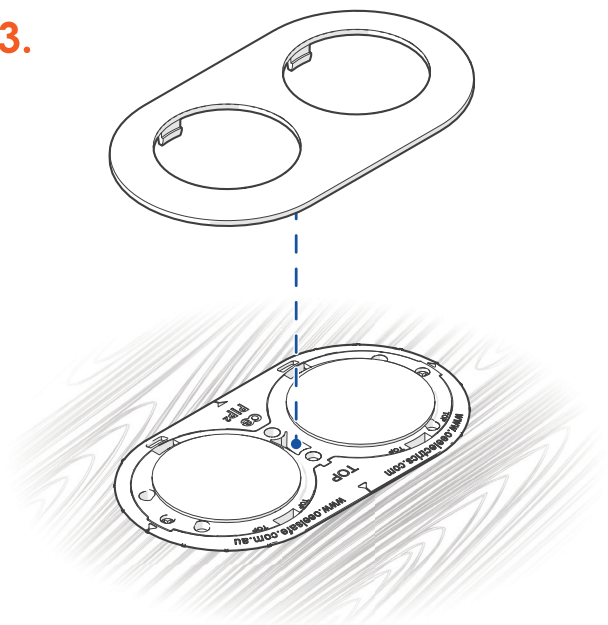
**STEP 3.**

The flush fascia bezel simply snaps on the unit.

2.



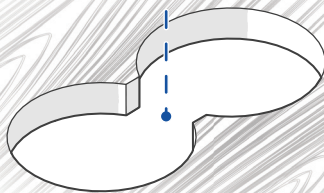
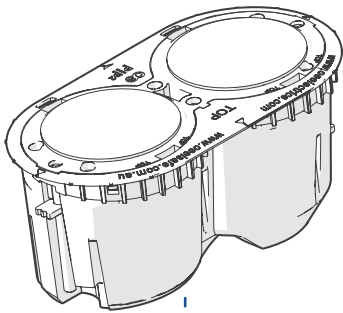
3.



### ANGLED INSTALLATION

When the angled fascia bezel is to be used, the method of installation is slightly different.

1.



#### STEP 1.

Place the unit into the cut-out at a slight angle, so that the lip at the side of the unit marked 'TOP' remains above the surface and so that the unit sits at an angle in the installation surface.

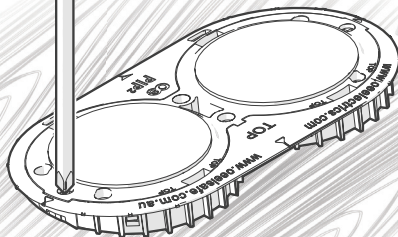
#### STEP 2.

Using a Phillips screwdriver, tighten the two Phillips screws on the top of the unit until secure. DO NOT OVERTIGHTEN

#### STEP 3.

The angled fascia bezel simply snaps on the unit.

2.



3.

