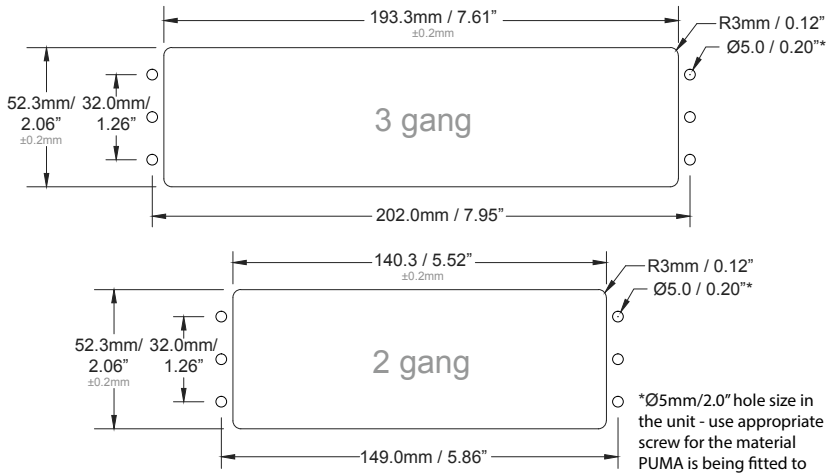


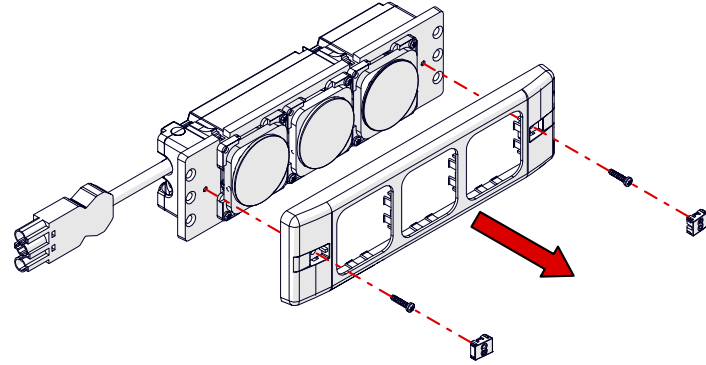
## PUMA installation instructions

### Thick panel

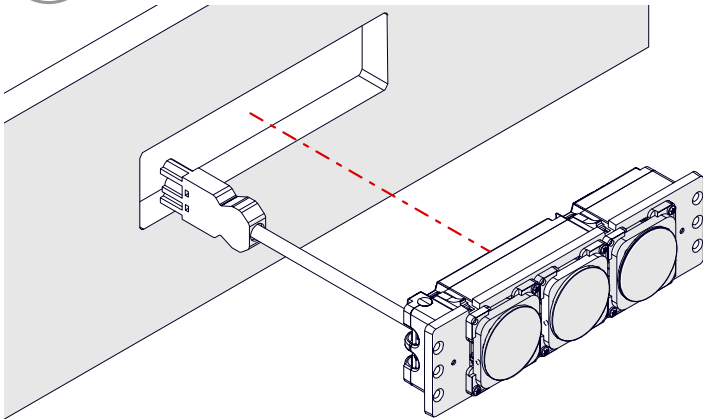
1 Cutouts & screw positions



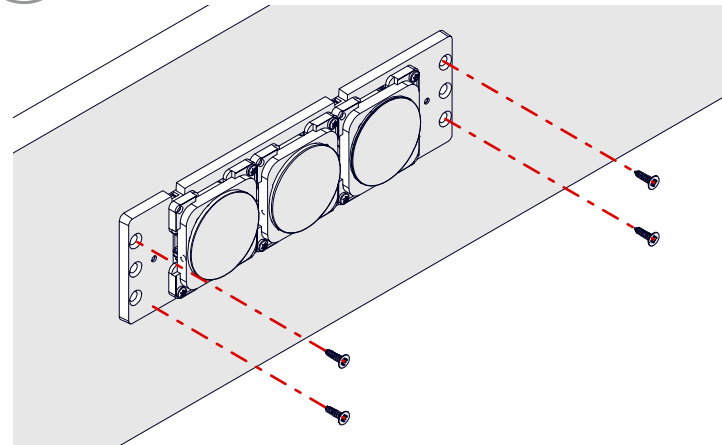
2 Remove frame



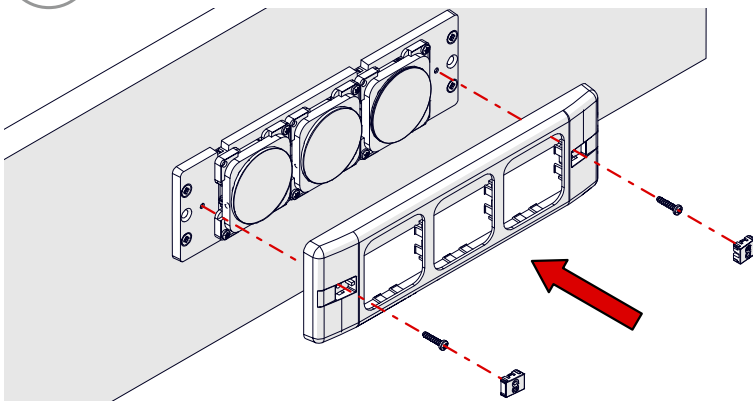
3 Screw PUMA in place



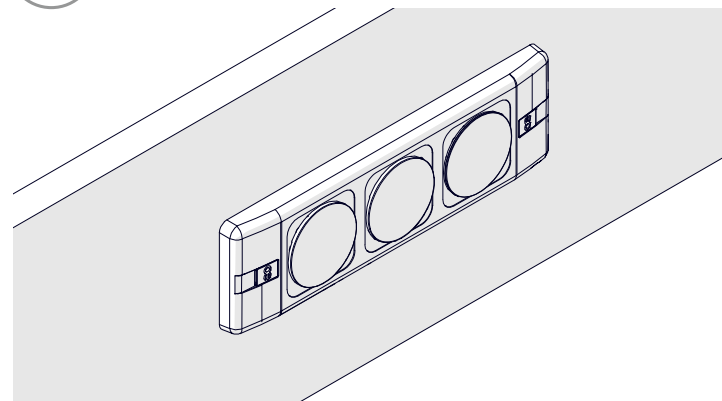
4 Screw PUMA in place



5 Fix frame to PUMA



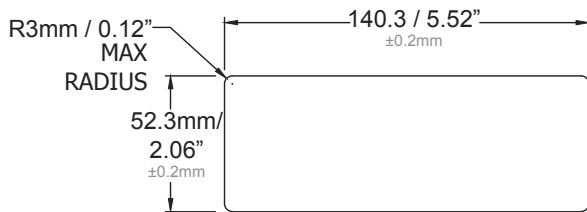
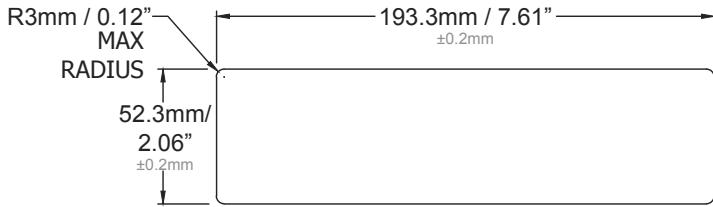
6



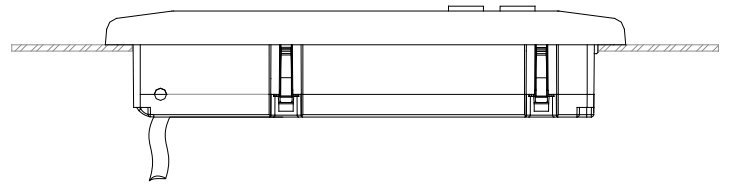
## PUMA installation instructions

### Thin panel

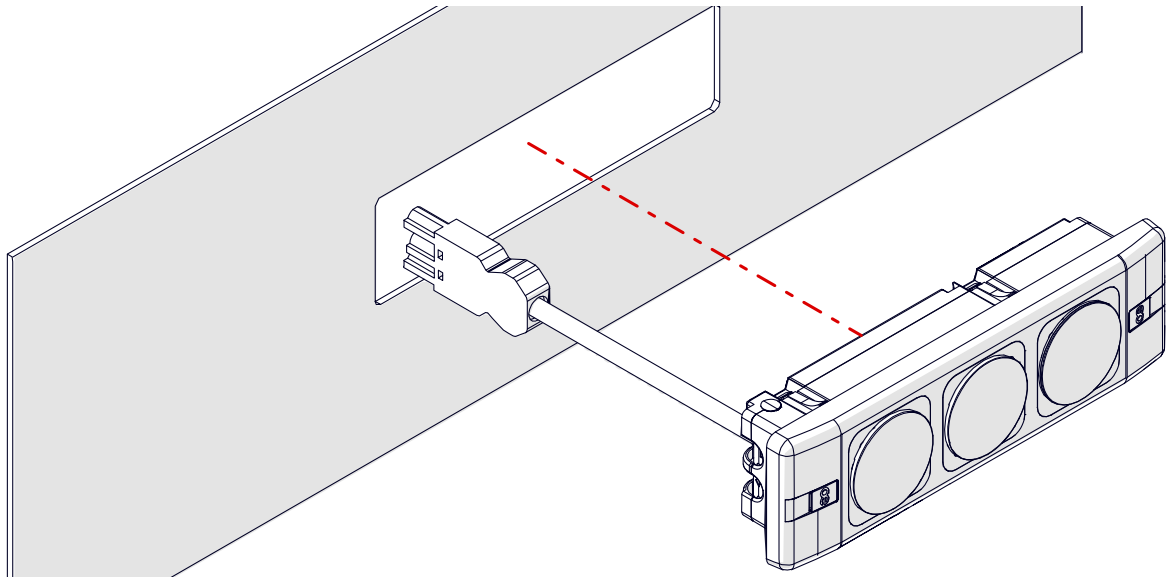
**1** Cutouts & depth required



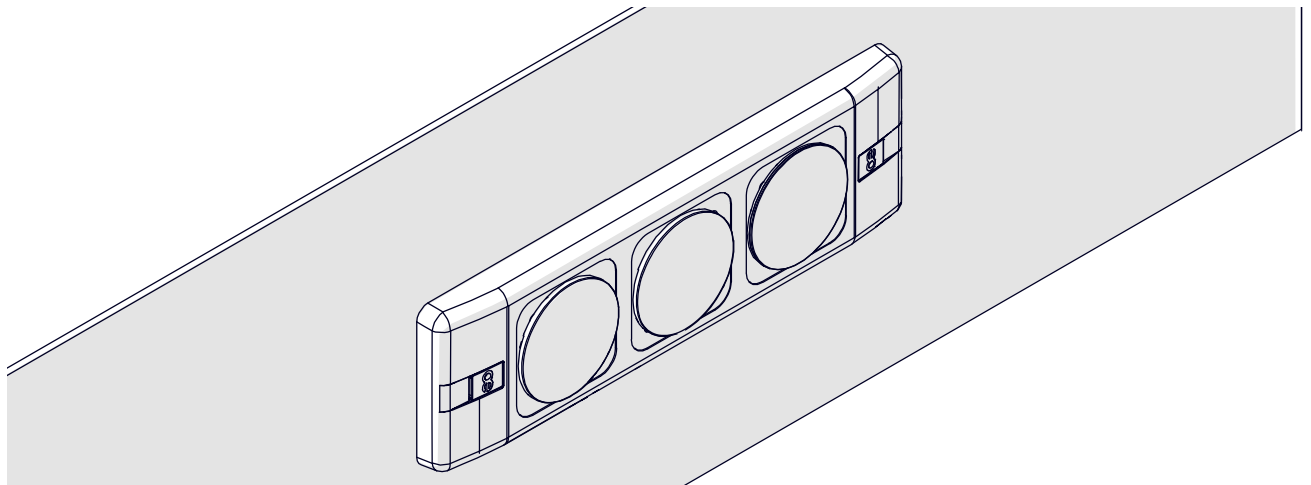
**2** Max panel thickness 3mm / 0.12" (+/- 0.1mm / 0.004")



**3**

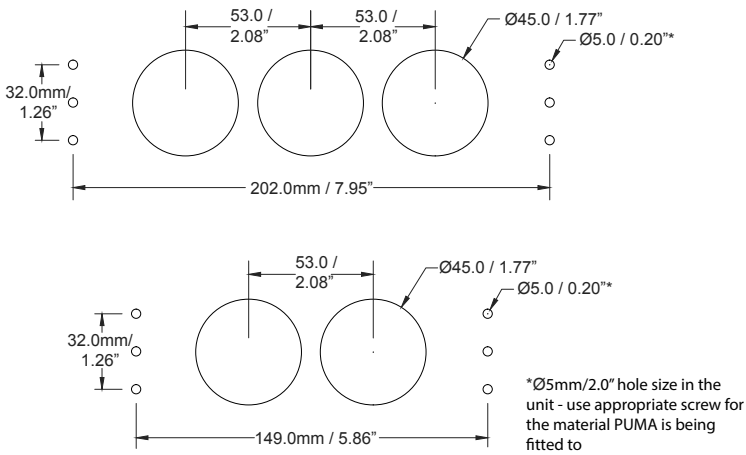


**4**

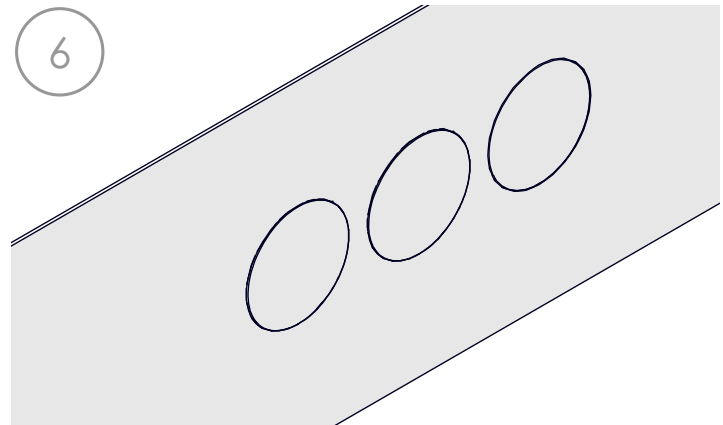
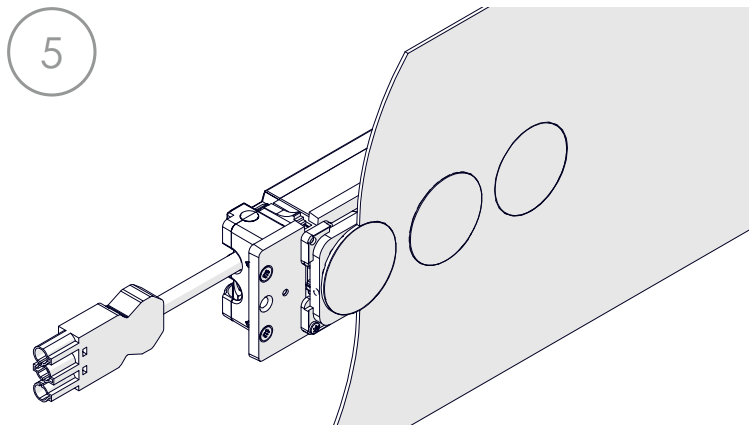
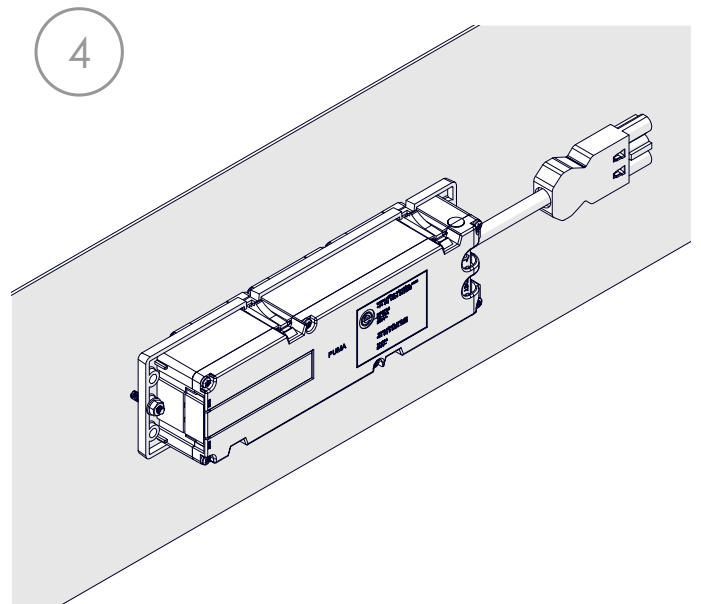
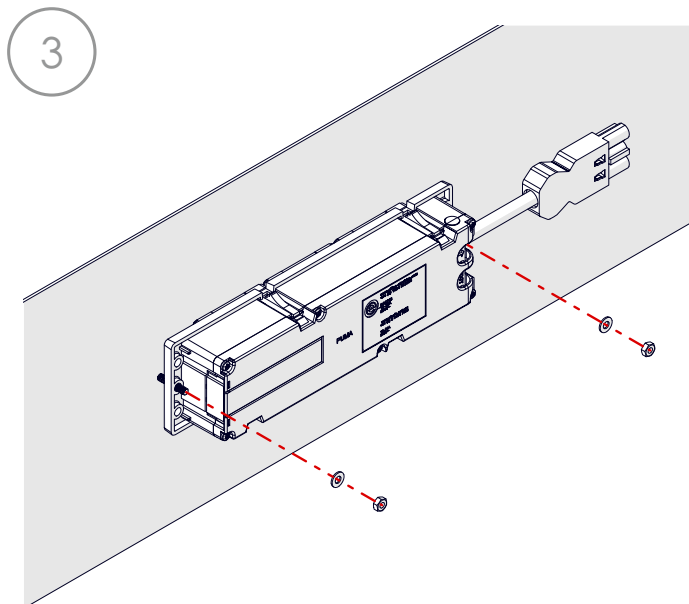
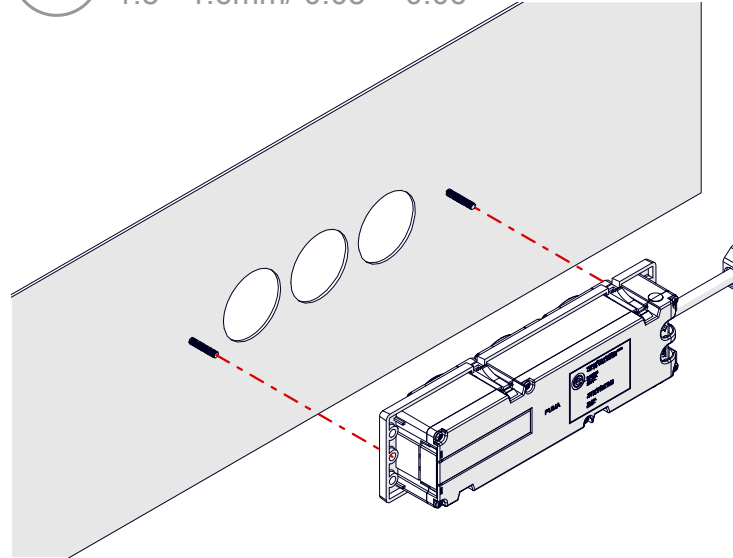


## Flush mount

1 Cutouts & screw positions

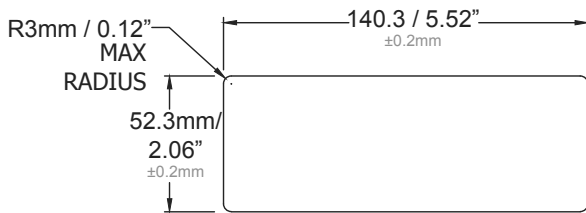
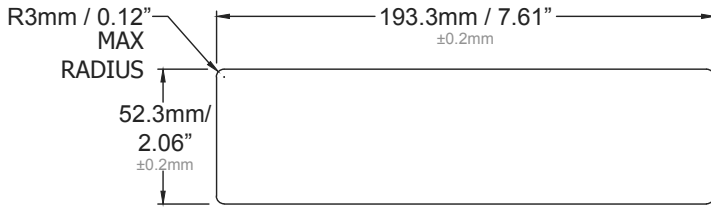


2 Panel thickness must be between 1.5 - 1.6mm / 0.05" - 0.06"

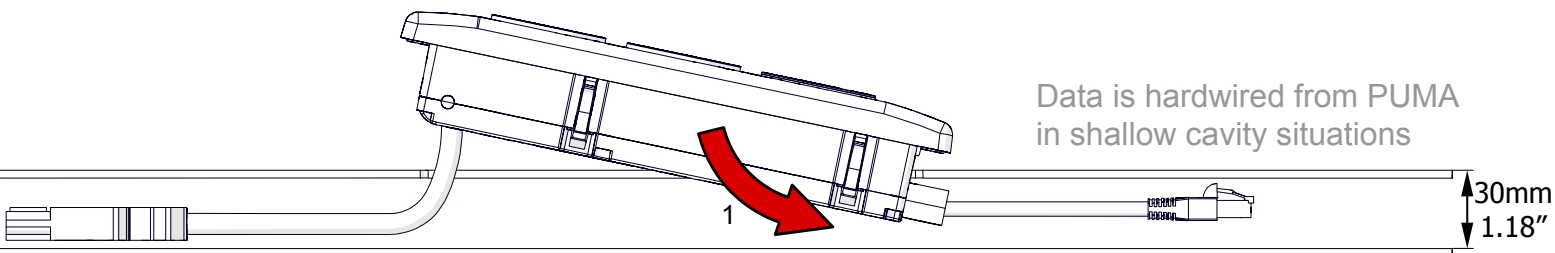


### Shallow cavity

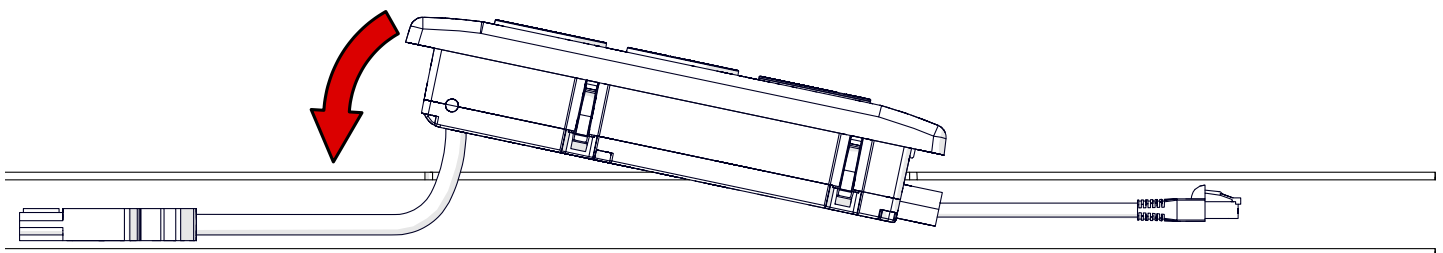
#### 1 Cutouts & depth required



#### 2 Slide in the right hand side



#### 3 Press down to snap in place



#### 4

