

QIKPAC charger base



The QIKPAC CHARGER BASE makes convenient charging a breeze. Freestanding or secured, the base tucks neatly into any space, and the compact, durable steel construction ensures a long service life.

In addition, QikPac rests comfortably on the base and easily accommodates horizontal and angled charge station locations.

With the integral 70W power supply, the QIKPAC Charger Base will charge three QIKPAC batteries or QIKPAC CARRY's simultaneously. For more than three QIKPAC units, the QIKPAC Charger Bases connect to extend your charge station's capacity. Connect your charger base or station to a single GST18 starter cord and begin charging.

QIKPAC Charge Bases are available in white or black.

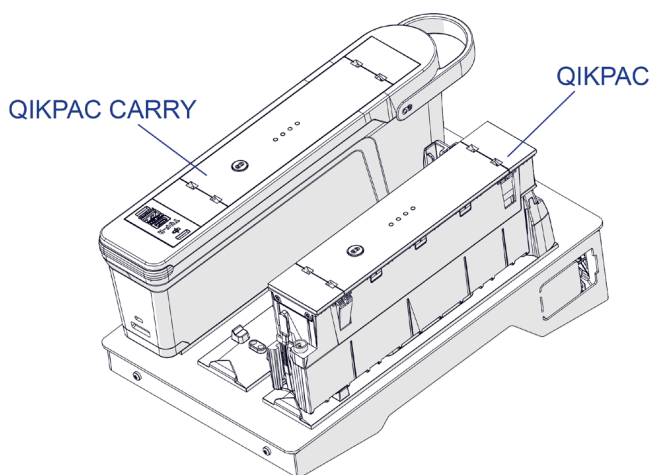


Features

- Charge up to three QIKPAC batteries
- Expand capacity and link multiple charger bases
- Suitable for horizontal or angled surfaces
- Freestanding or fixed installations

QIKPAC charger base TECHNICAL

CHARGES QIKPAC & QIKPAC CARRY



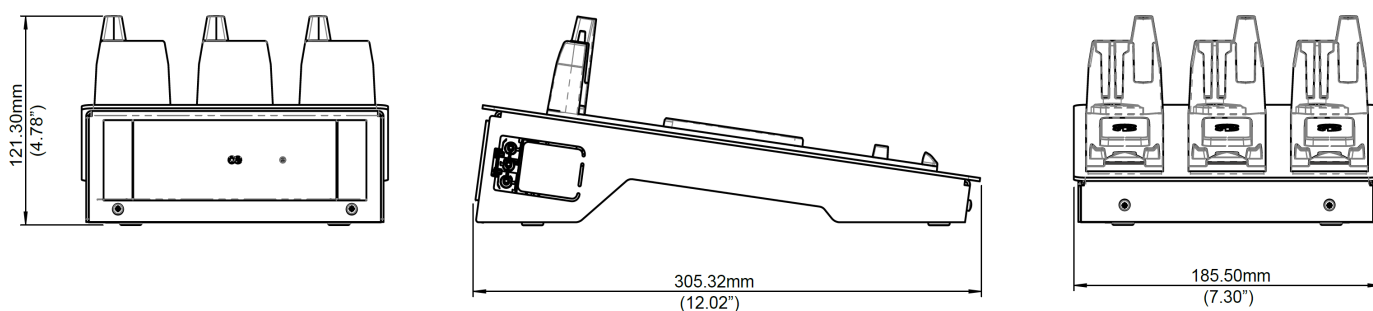
Charging Times -	
1-2 batteries	5 - 8 hours
3 batteries	8 - 11 hours

QIKPAC Chargers comply with:

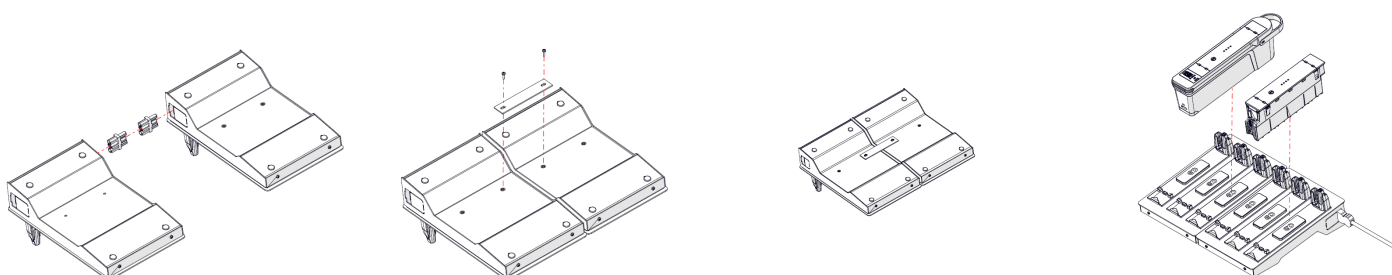
QF30 Power-supply
 UL/IEC 62368-1 : 2014 (safety)
 EN61204 : 2018 (EMC)
 EN 50121-3-2 (railway)
 FCC part 15 (B)
 Ecodesign Directive 2009/125/EC:

QIKPAC and the ANIMATE range of products are designed and intended for commercial use.

QIKPAC CHARGER BASE DIMENSIONS



LINKING KIT Connects up to three bases. Please contact us for longer runs.



PRODUCT TYPE

Charges QIKPAC portable 240Wh lithium-ion battery pack for use in office type environments.

Construction

Powder coated steel frame with high strength fire retardant polycarbonate QIKPAC charging shoes

Colours

Black or white.

Power Connections

Input GST18 Starter cord male

Output (linking) GST18 female.

Recycling

End of life QikPAC batteries are 95% recyclable. QikPAC must be recycled in accordance with prevailing regulations for the recycling of portable li-ion battery packs in the country of use. If unsure, please ask OE Elsafe for a current list of approved recycling collection points.

Quality & Testing

All QIKPAC charging units are manufactured using ISO9001 quality controlled components and practices and are fully tested before dispatch.

Shipment of QIKPAC Batteries

QIKPAC batteries are shipped by OE in UN38.3 or other country specific certified dangerous goods packaging.

QIKPAC CHARGING INDICATORS

LED FUNCTION	LED Code	Description
Short Button press		80-100% ON for 5 Seconds after button press
Short Button press		60-80% ON for 5 Seconds after button press
Short Button press		40-60% ON for 5 Seconds after button press
Short Button press		20-40% ON for 5 Seconds after button press
		0-20% constantly ON without button press
Charger plugged in but Battery FULL		100% Battery LEDs ON
Charging		80-100% ON FLASHING
Charging		60-80% ON FLASHING
Charging		40-60% ON FLASHING
Charging		20-40% ON FLASHING
Charging		0-20% ON FLASHING
Fault mode		Over current fault on one of the ports. All outputs will remain disabled until cleared by a short button press. Current range allowed from a single port: 6.5 - 10A allowed for up to 20 seconds 10 - 19A allowed for up to 5 seconds Combined current of over 19 Amps will cause QIKPAC to immediately turn off (after 320ms delay)
Fault mode		Maximum or minimum charging temperature limit reached. (Charge: +5 to +45C) QIKPAC will not be charged while in this mode however it can still supply power to connected devices. LEDs indication happens only if a power supply is connected. Fault will be cleared automatically once battery cells are within temperature range.
Fault mode		Minimum or maximum discharge temperature limit reached (Discharge: -20 to +60C) QIKPAC will not supply power nor receive charge from the PSU in this mode. Fault will be cleared automatically once battery cells are within temperature range.
Turning On / Start up		Press and hold for 5 seconds - 4 Pink LEDs light up from left to right and will turn on in 1 second intervals. All LEDs on indicates a successful startup.
Ship mode / Shut down		Press and hold for 5 seconds - 4 Pink LEDs light up then switch off one at a time from right to left
Ship Mode		Short Button Press, one LED lights for 1 second - this confirms the QIKPAC is in ship mode. This is the mode QIKPAC will arrive in, when shipped.
High in-rush current mode		This mode activates automatically on every startup and remains effective for 60 seconds to allow devices with high in-rush current demand to startup.
Button Function	Time Frame	Action / Description
Turn QIKPAC on (from ship mode)	4 Seconds	Press button (approx. 4 secs): Until you see LED lighting up in turn, then release button. If all 4 LEDs light up then a successful start-up is indicated. After a few seconds the battery level will then appear.
Battery level status (when QIKPAC is On)	0 - 5 Seconds	Short Button Press (0-5 secs): Displays battery level for 5 seconds, as well as clearing any over current fault.
Ship Mode / Shut Down / Power saver	5 - 15 Seconds	Press & hold then release (5-15 secs): Activating Ship Mode / Shut Down Suitable for shipping, saving power while not in use or when the product is not going to be used for a long time.