

animate



QIKPAC CARRY

portable power supply



contents

- introduction 3
- what does it do? 4
- animate 5
- portable power 6
- docked power 8
- beyond furniture 10
- TUF-R® 12
- recharging 14
- charging carts 16
- editions - colour your world 18
- FAQs 20
- parts List 21
- project - folding surfaces 22
- project - sydney grammar 24
- get in touch 26

QIKPAC CARRY TECH SPECS*

Battery Capacity	240Wh (Equivalent to 9540mAh)
Useable Capacity	200Wh
Input Charging Voltage	30.0V MAX
TUF-R USB C+C 150W output (One USB-C port in use only)	Normal Mode USB-C1 or C2: Max 100W: 5V/5A, 9V/5A, 12V/5A, 15V/5A, 20V/5A Reduced Power Mode† USB-C1 or C2: Max. 63W: 5V/2.4A, 9V/3A, 12V/3A, 15V/3A, 20V/3.15A
TUF-R USB C+C 150W output (Both USB-C ports simultaneously)	Normal Mode USB-C1+C2: 75W+75W: 75W: 5V/3A, 9V/3A, 12V/3A, 15V/3A, 20V/3.75A Reduced Power Mode† USB C1 + C2 (45W+18W or 18W+45W) 45W: 5V/2.4A, 9V/2.5A, 12V/2.5A, 15V/2.4A, 20V/2.25A 18W: 5V/2.4A, 9V/2A, 12V/1.5A, 15V/1.2A, 20V/0.9A
Output Current via QIKDOC	21.0V to 29.4V @12A MAX
Operating Temperature	10 - 35°C (50 - 95°F)
Weight	1.6kg (3.5lbs)
Dimensions	232 x 62 x 91mm
Transportation	UN38.3 certified

* For detailed Technical specifications please refer to the QIKPAC CARRY MANUAL

† Reduced Power Mode is activated when input voltage is below 23V or temperature is nearing circuit limits, or if QF05 TUF-R® CC / 150W is powered directly from the QF30 PSU-70W or Canister PSU 70W.

introduction

Meet QIKPAC CARRY from OE, a high-power DC battery pack and one of the core components of the OE ANIMATE range - a family of parts designed to make power portable for the agile workplace.

QIKPAC CARRY can be used as a stand-alone powerbank, or integrated into furniture via the QIKDOC to power both the furniture itself, as well as Monitors, Lighting, and other DC powered peripherals. Even when docked the QIKPAC CARRY's high-power TUF USB charger is still available for use, OR add a PLUTO, PICCOLO, or ARC-H LD to your setup for even more charging options.

A // PORTABLE

The QIKPAC CARRY packs 200Wh of charging time into a portable power pack that can be taken anywhere. To translate that to runtime, you'll be able to get up to 28 hours from your laptop, 50 hours from your tablet, and 200 hours from your cell phone.* As well as the flexible TPE rubber carrying handle.

B // SIMPLE

One press of the QIKPAC CARRY's orange control button reveals how much charge is available, indicated on the LED panel. These LEDs are also used to communicate several other features such as charging progress, charge completion, and other fault modes.

C // HIGH-POWER

The QIKPAC CARRY features OE's patented TUF USB CHARGER - 5V, 9V, 15V, & 20V Power Delivery from the USB-C port for super fast charging, and 5V (3A) power from the USB-A port for charging legacy devices. Choose USB A+C or USB C+C.

* Please note, these estimates depend on your device's current battery level and energy consumption.

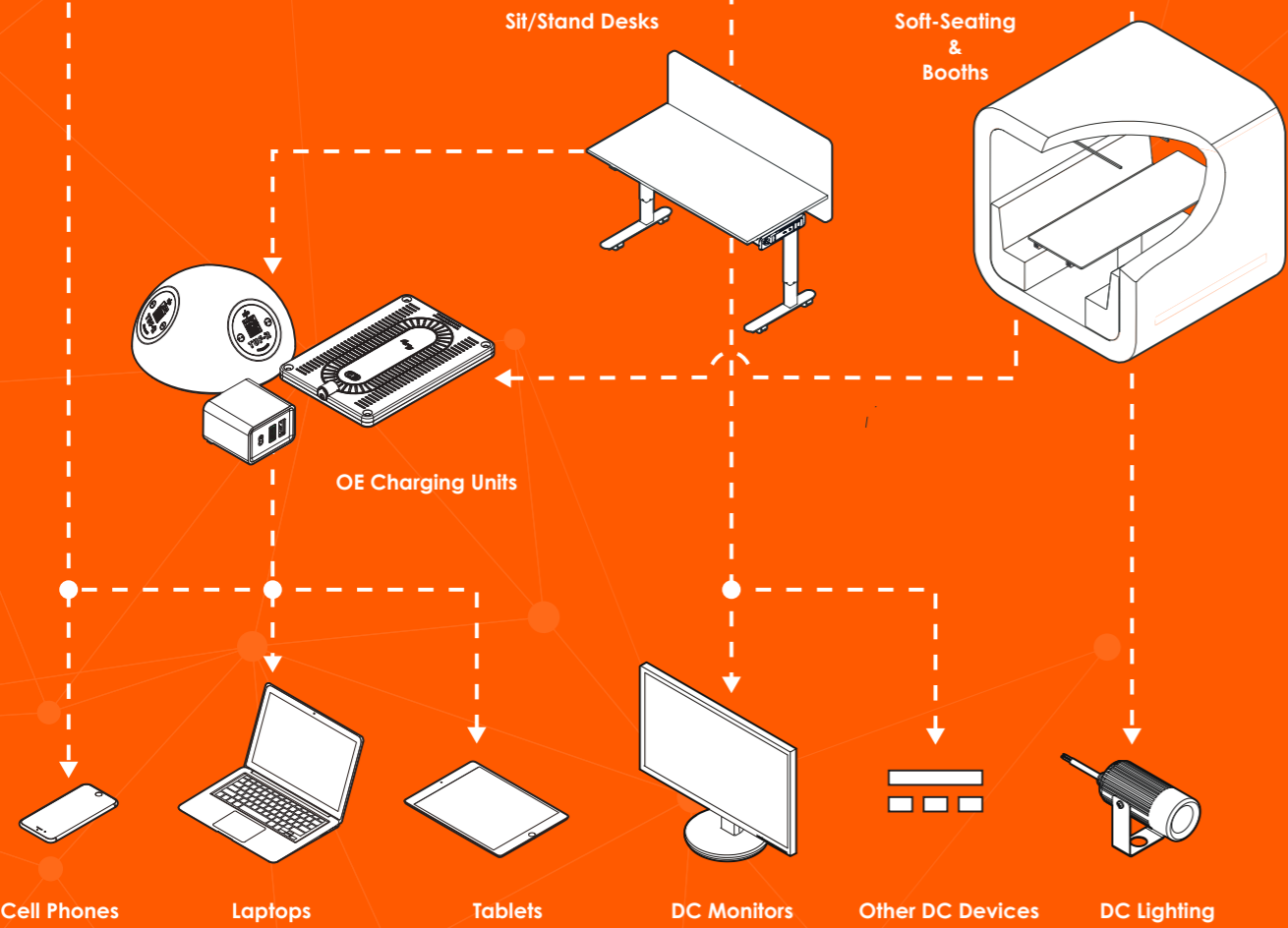
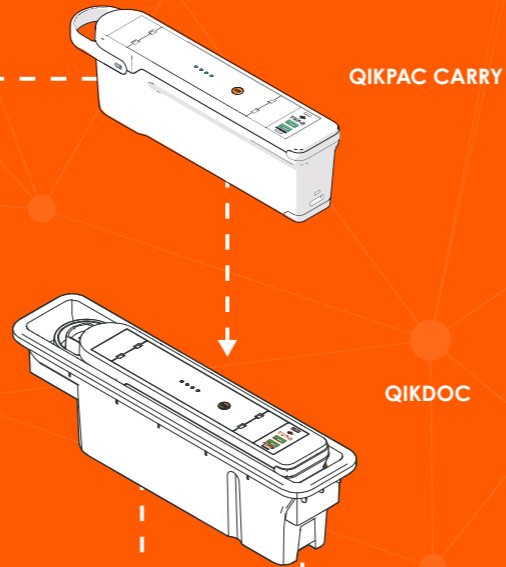


what does it do?

QIKPAC CARRY is a new concept in portable power provision designed for people on the go. QIKPAC CARRY is a commercial-grade power bank designed to be light and easy to carry without compromising on power.

QIKPAC CARRY is a standalone portable power pack that can also be docked into furniture, providing power to USB sockets, wireless chargers, monitors, sit-to-stand mechanisms, and more!

With up to 28 hours of laptop power, QIKPAC CARRY keeps your workstation or entire training table running smoothly for a full, productive day.



animate.

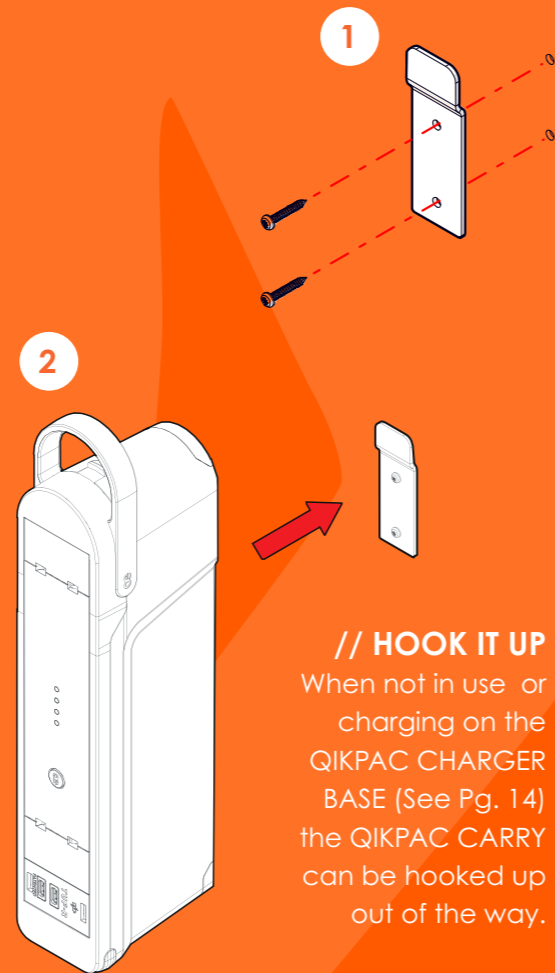
The ANIMATE range from OE is Inspired by the need to power our devices anywhere, in every possible space, ANIMATE provides a truly agile & dynamic working environment – with the additional safety of DC power. OE's ANIMATE is a complete electrical system that uses click & connect modules & patented battery technology.

The QIKPAC CARRY is a core part of the ANIMATE range, and can be integrated both to provide power, and to be charged from it.

portable power

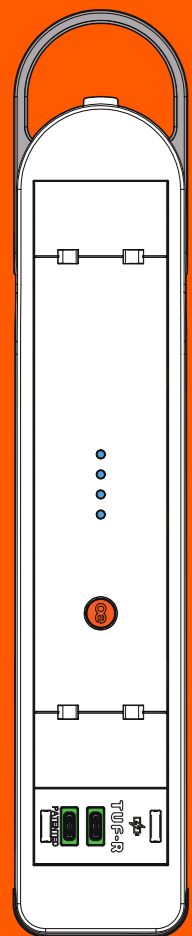
With enough power to last all day, you can leave your power brick at home - safe in the knowledge that you'll have power for all your devices in one portable package. The QIKPAC CARRY stands at 232mm tall, 62mm wide, and 91mm deep, and weighs just 1.6kg.

You can check the remaining level of charge in your QIKPAC CARRY by briefly pressing the orange control button; the LED status bar will show you much juice you have left.



// HOOK IT UP

When not in use or charging on the QIKPAC CHARGER BASE (See Pg. 14) the QIKPAC CARRY can be hooked up out of the way.



// MOBILE PHONES

The QIKPAC CARRY's Patented TUF USB Charger features both a Power Delivery capable USB-C port, as well as a USB-A port for legacy devices. Most mobile phones will charge from 0-100% in under 1.5 hours when charged by the TUF's USB-C port, and under 2.5 hours when using the USB-A port.

// TABLETS

Tablets and Tablet PCs such as the iPad Pro or Microsoft Surface can be charged from the QIKPAC CARRY, giving you up to 50 hours of additional use from your device.

// LAPTOPS

Many modern laptops have moved over to USB-C as their means of power input, meaning that they can be charged on the go from the QIKPAC CARRY. A single QIKPAC CARRY has enough power to keep the majority of laptops powered all day.



// MONOCHROMATIC

The QIKPAC CARRY is available in both black & white to compliment any decor.

At just 3.5 lbs, the QIKPAC CARRY is pound-for-pound the highest capacity battery pack on the market*, as well as the most versatile. Used as a stand-alone powerbank the QIKPAC CARRY provides up to 20 hours of runtime for a laptop, 50 hours for an iPad Pro, or 200 hours for a standard smartphone.

The high-power TUF USB Charger features PD (Power Delivery) and reversible USB ports so that you always plug the USB in the right way.

A single press of the QIKPAC CARRY's control button lets you know how much juice is left, and when the time comes the QIKPAC CARRY can be fully charged in as little as 4 hours.

See **Page 14** for more on charging.

DEVICE	AVERAGE RUNTIME†
Large Laptop	2.5 - 13.3hrs
Medium Laptop	7.5 - 20hrs
Surface Laptop	22.5 - 33hrs
iPad Pro	40 - 50hrs
Large Phone/Tablet	94 - 100hrs
Regular Phone	196 - 200hrs

* Information correct at time of print.

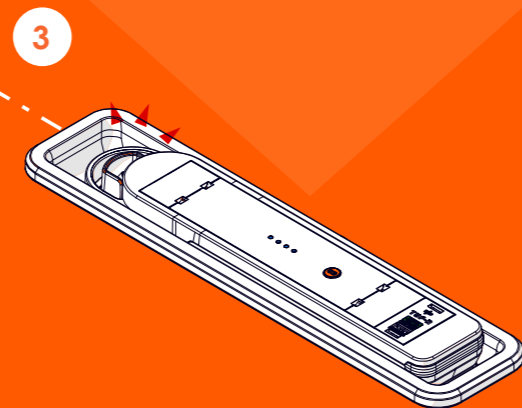
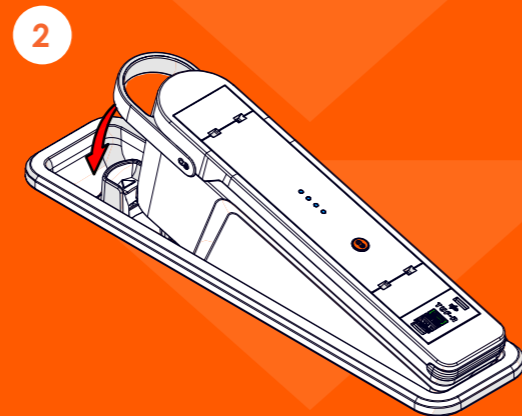
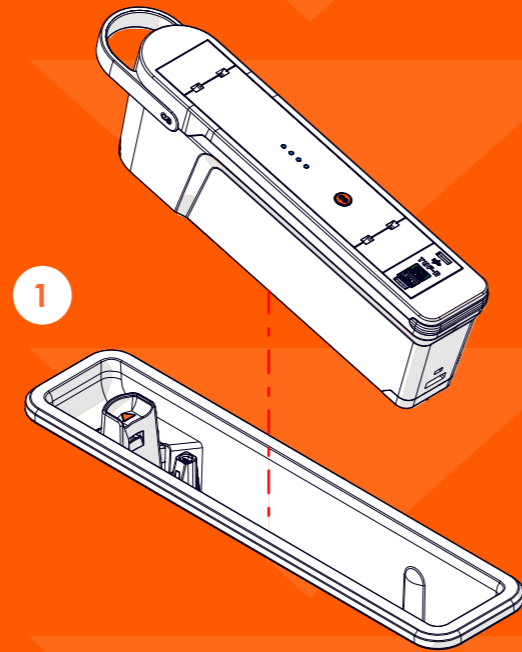
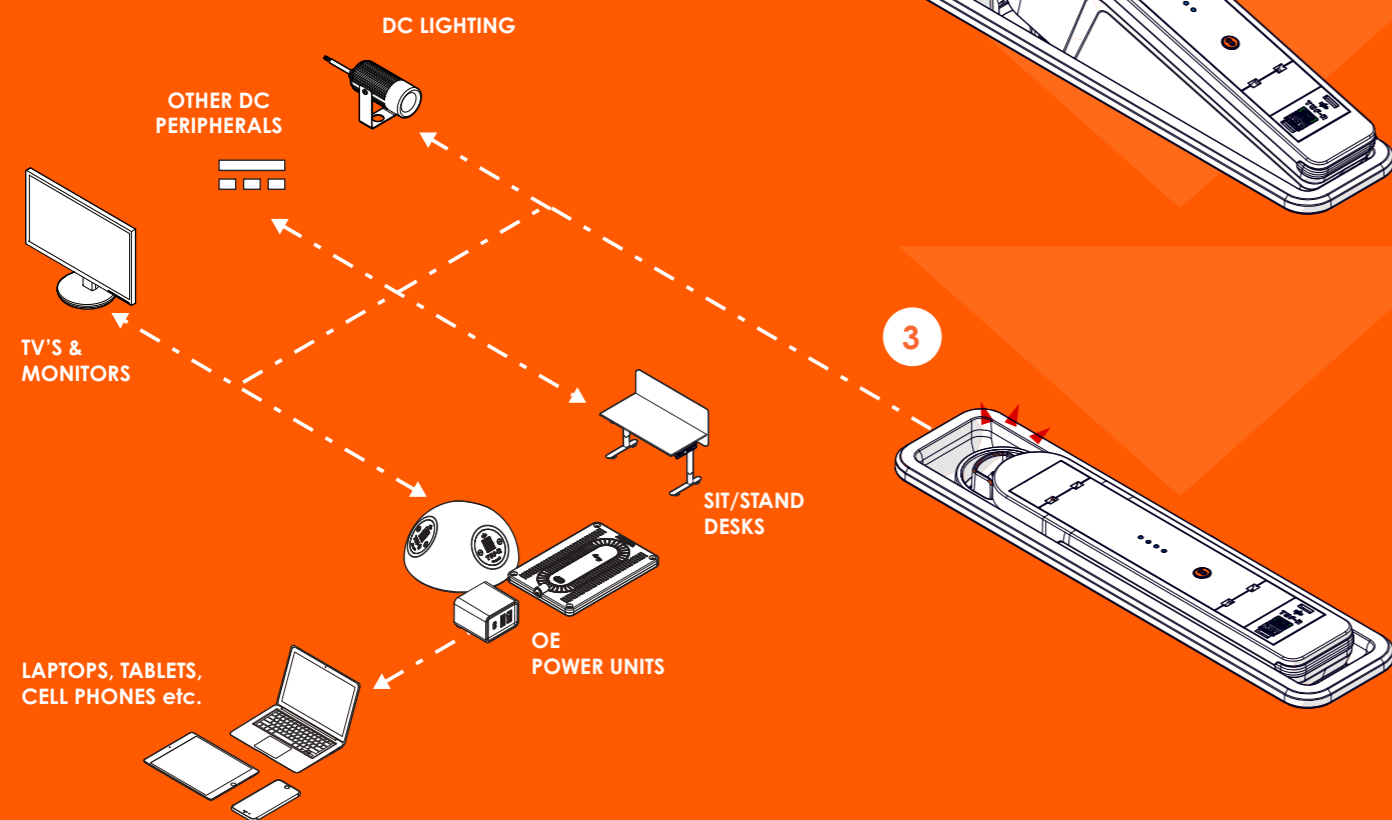
† Please note, these estimates only a rough guide and may under or overestimate the actual energy usage. Various factors including type of device, how it used, its state of charge, and the number and type of other devices connected to the QIKPAC will all affect how long the battery will last for. For further information or to discuss your requirements in more detail please contact our technical support team.

docked power

The capabilities of the QIKPAC CARRY can be expanded through the use of the QIKDOC. As well as providing up to 72W of charging power from the QIKPAC CARRY's TUF Charger (see Page 12), the QIKPAC CARRY can simultaneously provide 24V DC at up to 12A to your furniture.

This power can be used to run DC lighting, TV's and monitors, sit/stand desk actuators or used to power other OE units to provide even more USB charging points.

QIKDOC's versatile fixings mean that it can be installed anywhere that a rectangular cut-out can be made; Wood, Metal, Fabric-Panels... The possibilities are endless - and, just like the QIKPAC CARRY itself, the QIKDOC is available in both White and Black.



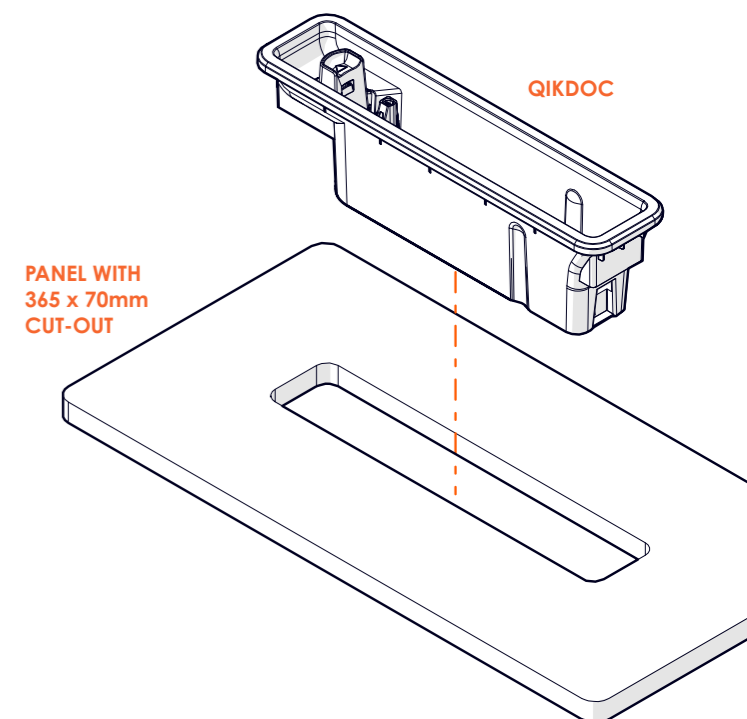
// **ALWAYS READY**
Even when docked, the QIKPAC CARRY's high-power TUF USB charger is still available for use.

The QIKDOC is the bridge between the QIKPAC CARRY and furniture. It allows users to easily click their battery into a piece of furniture to power it up for the whole day.

Installation of QIKDOC is straight-forward:

- Make a rectangular cut-out in your surface measuring 365 x 70mm with a 24mm router bit (R12).
- Drop the QIKDOC into the cut-out.
- Secure using either the screw or clamp fixing methods.
- Hook up the leads from the QIKDOC to your peripherals.

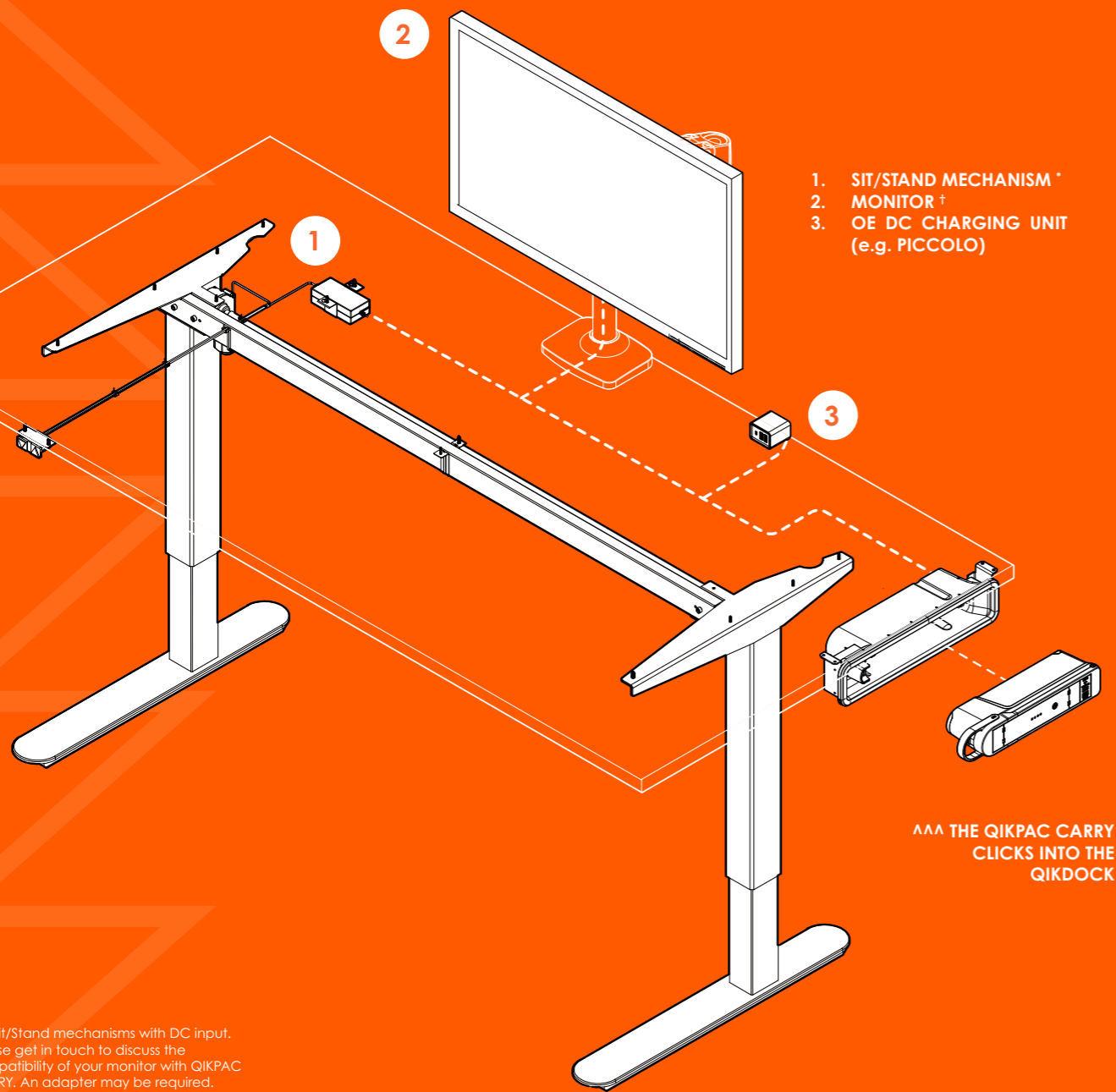
That's it! Take a look at our website for detailed installation instructions.



beyond furniture

As soon as a QIKPAC CARRY is clicked into a QIKDOC that has been integrated into a piece of furniture, the power is on. A single QIKPAC CARRY can power the sit/stand mechanism on a sit/stand desk*, a monitor†, and any of OE's DC charging units - perfect for charging your laptop and cell phone.

With no connection to an outlet required, this opens up a world of possibilities for agile working in the workplace. Visitors in town? Set up a workspace for them in the canteen. Great weather? Take your desk outside and work in the sun...



* For Sit/Stand mechanisms with DC input.
† Please get in touch to discuss the compatibility of your monitor with QIKPAC CARRY. An adapter may be required.

// IN DESK, OR UNDER

The QIKDOC can be mounted into the surface of the desk (more accessible), or mounted underneath with brackets (out of the way).



How does it all connect? QIKPAC CARRY connects to the QIKDOC using spring contacts - simply dock QIKPAC CARRY into the QIKDOC.

The QIKDOC then connects to the rest of your setup using GST08 leads, available in lengths ranging from 0.5m to 2m. These easy to connect cables distribute power from the QIKPAC CARRY to wherever it's needed in your setup, and we offer a variety of adapter cables for third-party peripherals such as TVs and monitors.

Get in touch with your local rep to find out more.

GST08 CABLE LENGTHS*	ORDER CODE
500 mm (19")	2512313
1,000 mm (39")	2515320
1,500 mm (59")	2515337
2,000 mm (78")	2515344

* GST08 leads can be interconnected to make up specific lengths.

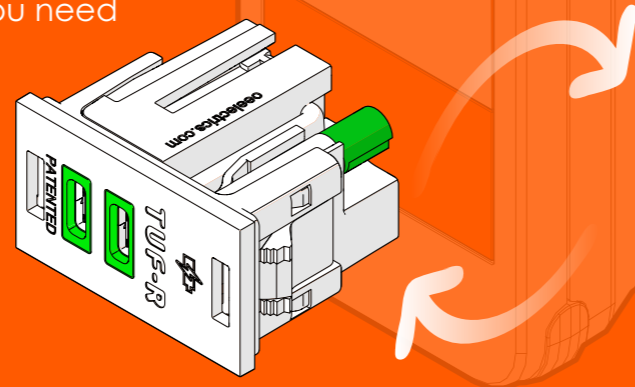
TUF-R® USB C+C 150W



QF05 TUF-R® CC / 150W represents OE's latest evolution in TUF USB charging. This cutting-edge, modular USB component features two advanced USB-C charging ports, enabling simultaneous high- power charging for up to two laptops or other small electronic devices.

Designed for use with OE's DC ecosystem 'ANIMATE,' the QF05 TUF-R® CC / 150W compact footprint allows for seamless integration into QIKPAC CARRY to create a commercial- grade portable power bank capable of charging two laptops, whenever and wherever you need them. Alternatively, integrate the USB module into furniture for a universal and efficient charging solution tailored to modern spaces.

The TUF-R® USB C+C 150W module that's built into the QIKPAC CARRY is fully replaceable, meaning that in the event of damage the TUF-R® HP can be easily swapped out without having to return the QIKPAC CARRY to OE.



USB Charging Outlets	2 x Type C
Power In connector	Male GST08 DC connector
Input Voltage	21 to 30V 6.0A Max.
Output Voltages & Currents Single Port (either USB-C port)	Normal Mode USB-C1 or C2: Max 100W: 5V/5A, 9V/5A, 12V/5A, 15V/5A, 20V/5A Reduced Power Mode* USB-C1 or C2: Max. 63W: 5V/2.4A, 9V/3A, 12V/3A, 15V/3A, 20V/3.15A
Output Voltages & Currents Two Ports (Both USB-C ports simultaneously)	Normal Mode USB-C1+C2: 75W+75W: 75W: 5V/3A, 9V/3A, 12V/3A, 15V/3A, 20V/3.75A Reduced Power Mode* USB C1 + C2 (45W+18W or 18W+45W) 45W: 5V/2.4A, 9V/2.5A, 12V/2.5A, 15V/2.4A, 20V/2.25A 18W: 5V/2.4A, 9V/2A, 12V/1.5A, 15V/1.2A, 20V/0.9A
USB connector Min. insertions	10,000
Over Current Protection	Yes. Digital control. Auto reset with LED flash.
Short Circuit Protection	Yes. Digital control. Auto reset.
Over Temperature Protection	Yes, Shutdown and activation of Reduced Power Mode
Rated Operating Temperature	0° TO 35°C
Certifications	IEC 62368-1:2018 UL62368-1 cTUVus EMC EN61204 : 2018 FCC 47 CFR Part15 subpart B ROHS EU2011/65/EU as amended by (EU) 2015/863

*Reduced Power Mode is activated when input voltage is below 23V or temperature is nearing circuit limits, or if QF05 TUF-R® CC / 150W is powered directly from the QF30 PSU-70W or Canister PSU 70W.



POWER EVERYWHERE
QIKPAC CARRY's compact shape and form mean that you can take high-power fast charging with you, wherever you go.

Power Delivery

USB PD (Power Delivery) is a specification or industry standard for managing high power and allows users to charge their devices quickly. It provides more flexible power by enabling maximum USB functionality over a single cable.

The TUF USB Charger built into the QIKPAC CARRY features PD as standard with up to 150W of power shared over its two USB-C ports.

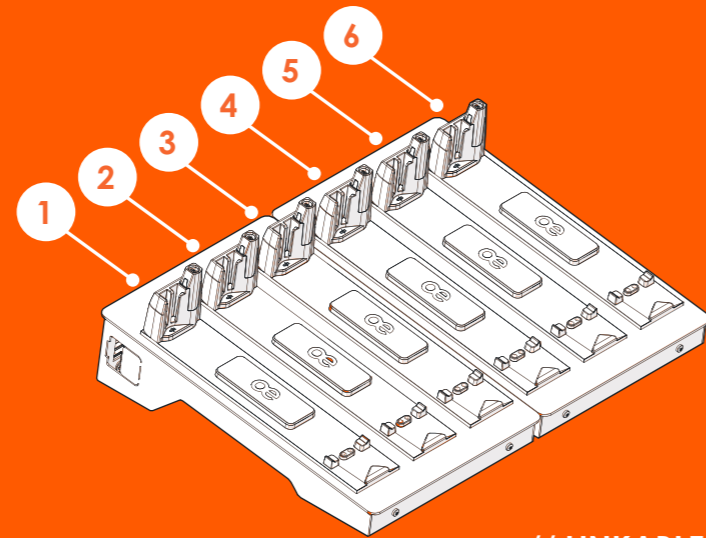
TYPICAL DEVICE*	POWER REQUIRED
iPods, Digital Cameras	2.5W
Small phones	4.5W
Tablet & Large Phones	7.5W
Laptop	60.0W

* Based on the USB PD 3.1 Protocol.

recharging

The QIKPAC charger base with its built in QF30 PSU is a sturdy and easy to use charging point for our QIKPAC CARRY battery. The QIKPAC charger base can be free standing or attached to suitable horizontal or angled surfaces.

Simply connect a QIKPAC charger base to mains AC with an OE GST 18/3 starter cable and charge up to 3x QIKPAC CARRY batteries at the same time. QIKPAC charger base has both GST 18/3 input and output connectors to allow multiple units to be linked and supplied from a single starter cable.

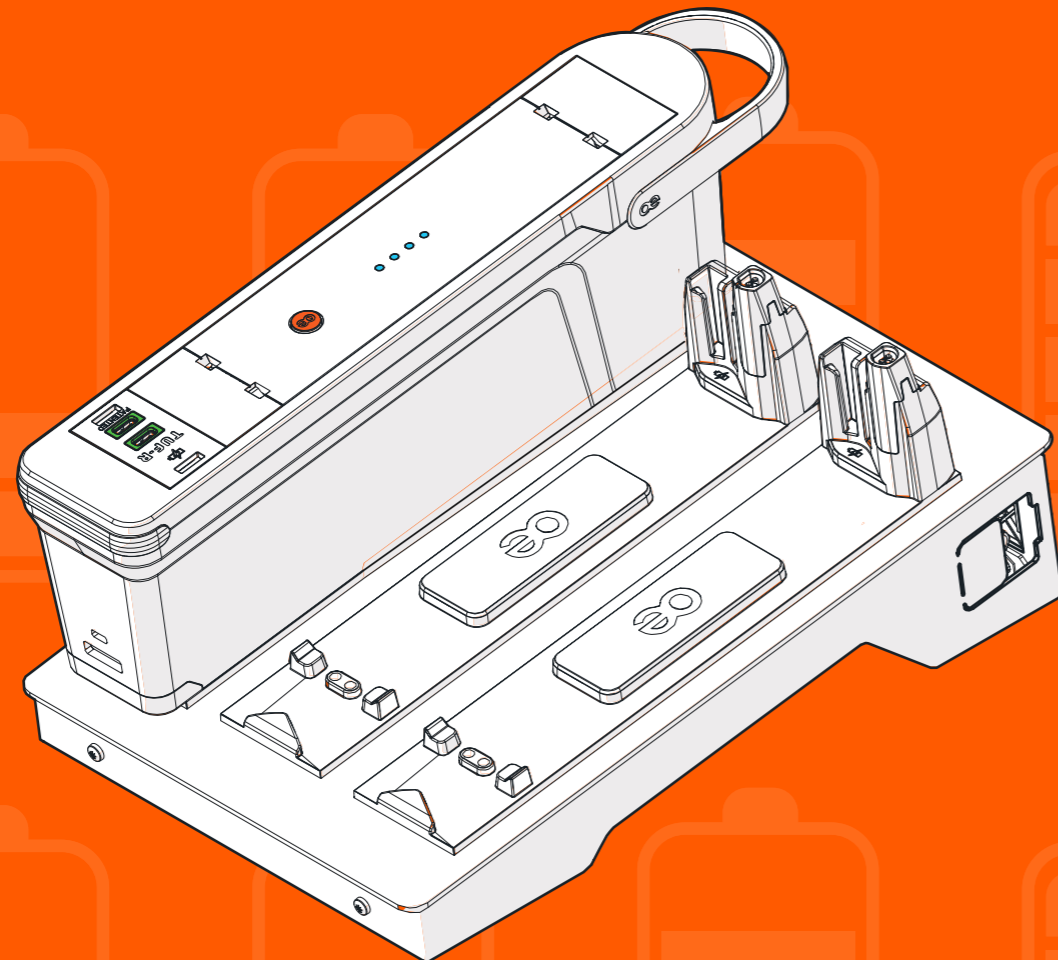


// LINKABLE

Charge three, six, nine or more QIKPAC CARRY batteries simultaneously!

// OVER-NIGHT

QIKPAC CARRY features on-board intelligent over-charge protection, making it perfectly safe to leave charging over night. In the event of over-temperature, over-current, or a fault condition, the QIKPAC CARRY will shut itself off and cease charging until the problem is fixed.



// STATUS LEDS

It's easy to see the charging status of each QIKPAC CARRY by checking the four blue LEDs built into the battery whilst on the charger base.

NON-STOP POWER

After a long day out with your QIKPAC CARRY, simply drop your pack onto our QIKPAC CHARGER BASE.

There's enough space for three QIKPAC CARRY units per CHARGER BASE, so you can grab a fresh one while you're there!

The total weight of a triple dock charging base with three QIKPAC CARRY units is 7.55Kg.



The QIKPAC charger base is ideally suited to entrance ways and foyers - making it convenient for users to grab a QIKPAC CARRY on the way into the building, and to put it on charge for the night on the way out.

Another feature of the QIKPAC CARRY and QIKPAC charger base is battery balancing, meaning that if you put two fully-charged batteries onto a base that's not attached to mains, then add a third flat battery - the two charged QIKPAC CARRY batteries will charge the third until all three QIKPAC CARRY batteries are at the same level of charge!

CHARGING TIMES FROM QIKPAC CHARGER BASE*

1x QIKPAC CARRY	5-8 hours
2x QIKPAC CARRYs	5-8 hours
3x QIKPAC CARRYs	9-11 hours

* Charge time from 0% to 100%. Charge times will be faster if the QIKPAC CARRY is put on to the QIKPAC CHARGER BASE when it already has some remaining charge.

The QIKPAC charger base is available in both white and black as standard. Custom finishes can be ordered subject to minimum order quantities.

charge carts

The QIKPAC CHARGE CART makes QIKPAC CARRY's all-day portable power possible. Reception assigns a QIKPAC CARRY when welcoming workers and guests. Students and teachers roam campus freely. And facility managers no longer wrestle with extension cords to provide last-minute power to events. QIKPAC CARRY places all-day power in the hands of the people, literally.

Available with twelve or twenty-four charging shoes, keeping multiple QIKPAC CARRY's energized for a large group is a breeze. Sitting atop four casters, the cart easily rolls out in the morning and tucks neatly away at the end of the day. Checkouts and returns are easy with the cart's ergonomic design.

The QIKPAC CHARGE CART is available with or without batteries and is available in three standard finishes:

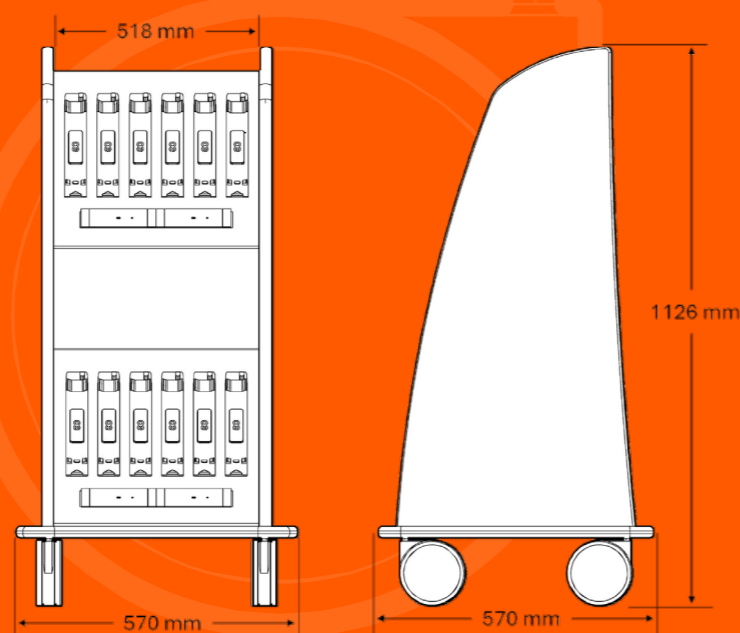
- All White
- Silver/Gray & White
- All Black

Charging times per QF30 PSU

1-2 Batteries	5-8 Hours
3 Batteries	9-11 Hours

Each QF30 PSU can comfortably power three QIKPAC CONNECTING SHOES, and several QF30 PSUs can be powered from a single mains cord.

// 12 SHOE CHARGING CART

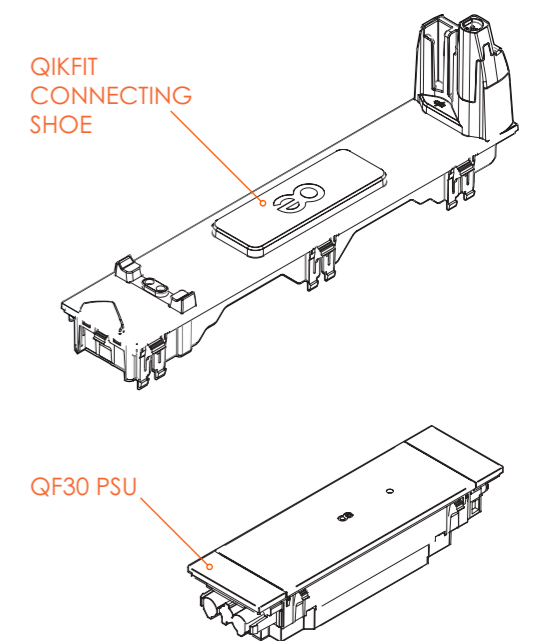


TOP FEATURES

- Auto-start/stop charge cycle
- 12 charging shoes
- Casters for portability
- Standard finishes are All White, Silver/Gray & White, or All Black



The charge cart shown here is just one interpretation of what a charge cart can be. The individual QIKPAC CONNECTING SHOES and QF30 PSU will fit into any 41.50mm slot in surface upto 3mm thick. The cart itself can be anything you want it to be!

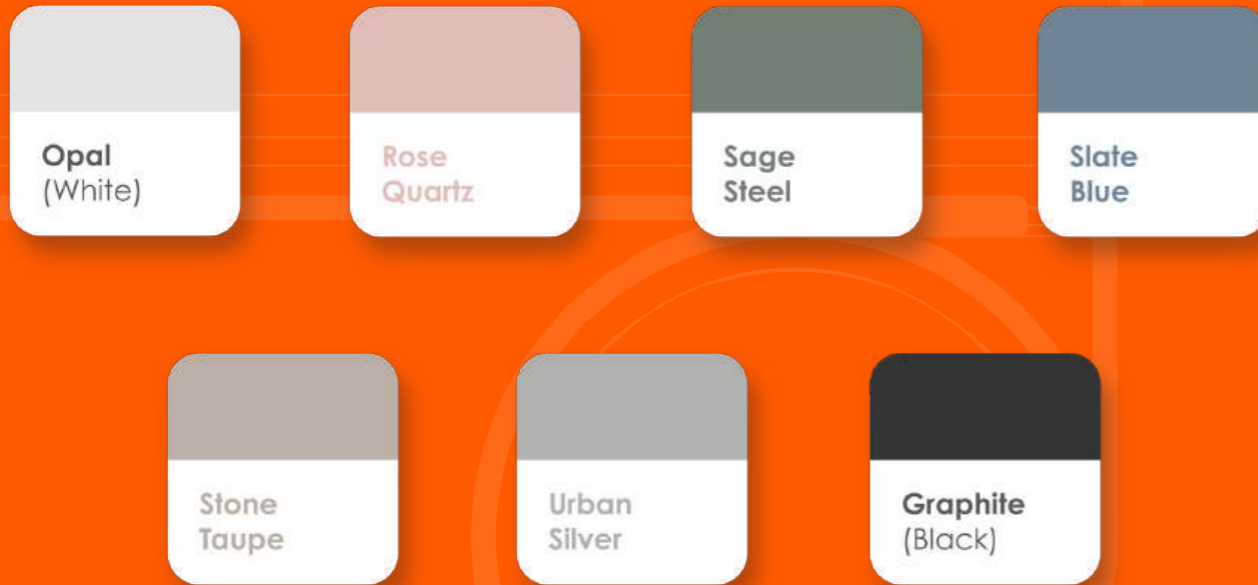


editions

Editions combines the convenience and versatility of QIKPAC with all the style and visual aesthetics that your space needs. With five new contemporary colours (on top of the classic black and white shades) you really can't go wrong!

Designed to fit seamlessly in any modern colour palette, QIKPAC will not only elevate your space but add cutting-edge battery technology, empowering you to work anywhere.

So how will you furnish your space? Will it still be black and white or will you choose one colour... or two? Let us know what you get up to with our new palette!



POWER DOESN'T HAVE TO BE PLAIN.

just add colour



QIKPAC CARRY is available in a carefully selected range of finishes inspired by modern materials and commercial interiors.

This palette introduces a softer, more refined aesthetic to portable power, ensuring QIKPAC CARRY looks as considered as the spaces it supports.

*proven power
timeless design
exceptional value*



F.A.Q's

How does QIKPAC CARRY work?

QIKPAC batteries store a total of 240 watt-hours of energy. 200Wh energy is available for use, released as 24V low-voltage DC (direct-current). You can provide power for laptops, phones and other devices and power other DC features like LED lighting, WiFi routers, wireless chargers and more by integrating QIKPAC into your furniture. All without being tied to traditional AC power (120V/230V) outlets.

What is the lifespan of a QIKPAC CARRY?

The lifespan of a battery is best defined in terms of "charge cycles". Where Li-ion batteries are allowed to drain to 0% from a top charge of 100% (as is commonplace for cell phones), they will exhibit a decay in power storage after only 500 charge cycles (say 18 months, as maybe your experience for mobile phones) – but they are still storing power just less of it as time goes by. However, less well known is that if you limit the extremes of the charge state of Li-ion batteries, their lifespan (the number of charge cycles before they exhibit storage loss) increases exponentially. As such, the QIKPAC is pre-programmed to shut down at 10% and charge only to 90%. This minimal limitation (to 200Wh) extends the lifespan of the battery more than fivefold – beyond 5 years (with 70-80% of the initial capacity remaining) and potentially to 10 years before a noticeable degradation of storage capacity.

Is QIKPAC CARRY safe?

It must always be recognised that whilst safe to use, Li-ion batteries always have a very small risk of thermal runaway, albeit as little as 1ppm or less – and in this regard, a customer should carry out a risk analysis for their specific application, taking into consideration installation (avoiding contact with flammable materials), use (avoiding impact damage or squashing) and maintenance (accessibility in case of need for removal). To further, minimise any potential issue, OE has designed QIKPAC based on an industry-proven battery format, the 18650 cell, as used in electric cars, with certified Li-ion cells from reputable manufacturers, such as Samsung,

Panasonic or LG, whose manufacturing quality controls are second to none. The electronics have multiple layers of protection for over-current, over-voltage, over-temperature and all these have been safety tested by independent external laboratories (TUV). The QIKPAC housing is manufactured in a flame-retardant and impact-resistant plastic suitable for its application and end of line testing is carried out on 100% of QIKPAC batteries. Finally, we have had QIKPAC certified by third-party laboratory TUV, to confirm the control circuitry and temperature sensors perform all safety functions correctly, as laid out in applicable IEC and UL battery regulations.

How do I update the firmware on a QIKPAC CARRY?

If the firmware for your QIKPAC needs to be updated, please return to us for the update. In the future this will be able to be completed by the end user or facilities manager.

How do I know when the QIKPAC CARRY is fully charged, can it be overcharged?

All four LEDs will be on solid. It is not possible to overcharge the battery as all the charging is controlled within each QIKPAC.

What approvals does the QIKPAC CARRY have?

Battery Operational Safety – IEC/UL 62133; Transportation – UN38.3, Electromagnetic Interference – EMC (EU) and UK, and FCC (US), Materials – ROHS, REACH.

How do you ship QIKPAC CARRY batteries?

QIKPAC batteries contain Lithium-Ion (Li-ion) cells which are classed as hazardous materials. As such they are individually packed in UN38.3 compliant packaging. They should be kept in that packaging until they are either fitted in the furniture or get to the site for use. There are strict rules around shipping Li-ion battery using air freight and you should consult with your freight forwarder – we can supply UN38.3 certificates.

parts

QIKPAC CARRY battery

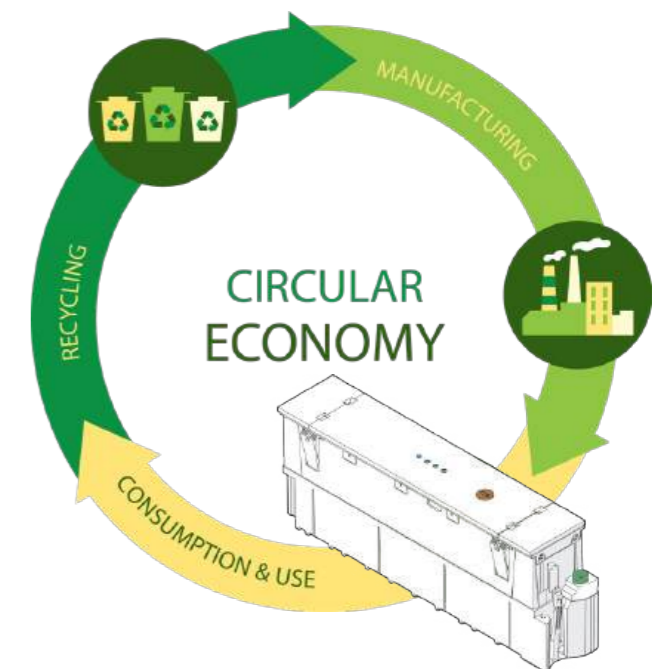
PART CODE	DESCRIPTION
592000	QIKPAC CARRY / BLACK with TUF-R A+C 75W
592001	QIKPAC CARRY / WHITE with TUF-R A+C 75W
592008	QIKPAC CARRY / BLACK with TUF-R C+C 150W
592009	QIKPAC CARRY / WHITE with TUF-R C+C 150W
592100	TRIPLE DOCK CHARGER BASE / BLACK (BUY QIKPAC SEPARATELY)
592101	TRIPLE DOCK CHARGER BASE / WHITE (BUY QIKPAC SEPARATELY)
600453	TRIPLE DOCK with 3 QIKPAC CARRY / BLACK / TUF-R A+C 75W
600454	TRIPLE DOCK with 3 QIKPAC CARRY / WHITE / TUF-R A+C 75W
600653	TRIPLE DOCK with 3 QIKPAC CARRY / BLACK / TUF-R C+C 150W
600654	TRIPLE DOCK with 3 QIKPAC CARRY / WHITE / TUF-R C+C 150W
592204	QIKPAC CARRY 12 CHARGING CART BLACK (BUY QIKPAC SEPARATELY)
592202	QIKPAC CARRY 12 CHARGING CART WHITE (BUY QIKPAC SEPARATELY)

FITTING	DESCRIPTION
CONTACT OE	QIKDOC LOCATE or QIKDOC CONNECT with DC Connectors
CONTACT OE	QIKFRAME for fitting QIKPAC BATTERY DC Power Solution
CONTACT OE	CONNECTING CABLES, PARTS AND COMPONENTRY

OE Elsafe has an end of life policy recommending all QIKPAC batteries are recycled. OE has partnered with B-Cycle to provide an end-of-life solution for our QIKPAC batteries. B-Cycle is Australia's official battery stewardship scheme providing a recycling process that ensures the precious materials in every battery you drop off get made into something new. All batteries are processed at Australia's very own onshore battery recycling plant, Envirostream.

The Envirostream recycling facility is equipped to recover the maximum amount of resources (~95%) from all types of spent batteries. Those resources are then returned to the manufacturing sector, with the active components of end-of-life Li-ion batteries – cobalt, nickel, lithium and graphite – subsequently used as raw materials in the production of new Li-ion batteries.

Recycling batteries creates a circular, and more sustainable, battery economy.



project - folding surfaces

AN AGILE POWER SOLUTION FOR COMMERCIAL SPACES

HOWE's longstanding commitment to multifunctionality, space efficiency, and superior quality finds a natural complement in Jones & Partners' Design Studio 25-year legacy of pushing boundaries and redefining the norms of workspace design.

OE's history of innovative award-winning power technologies completed the collaboration perfectly, resulting in an outstanding new agile solution that is set to revolutionise the commercial space.

UNIQUE DESIGN EXEMPLIFYING MULTIFUNCTIONALITY

What makes Folding Surfaces unique is the purpose-designed multifunctionality. With Folding Surfaces, meetings seamlessly transform into collaborative sessions, and workspaces adapt to your changing needs with streamlined efficiency.

Folding surfaces optimise workspace utilisation, making them ideal for downsized offices or multi-use education spaces where areas can easily adapt to changing requirements.

AWARDED BEST OF NEOCON 2024

Honoured with the Best of NeoCon Business Impact Award, Folding Surfaces is designed so users can adapt a space with ease. With built-in power the Folding Surfaces' solution allows users to unfold fully functional work surfaces wherever they're needed, with the flexibility to re-configure the workspace to adapt to the task at hand.



QIKDOC / QIKPAC CARRY

Integrated within the mobile tables and mobile power trolleys.



PIP / TUF-R USB CHARGER

Integrated within the mobile tables and mobile power trolleys.



project - sydney grammar

EXAM ROOM SET UP MADE EASY

Sydney Grammar School approached OE Elsafe for a solution to their usually laborious and time-consuming exam setup process. Previously, several teachers had taken up to three days to setup the four exam rooms, with mains power cables being taped to the floor, presenting safety issues and possible trip hazards. Extra time was required to maintain exam room safety, with teachers checking and re-taping cables between exams.

THE QIKPAC CARRY SOLUTION

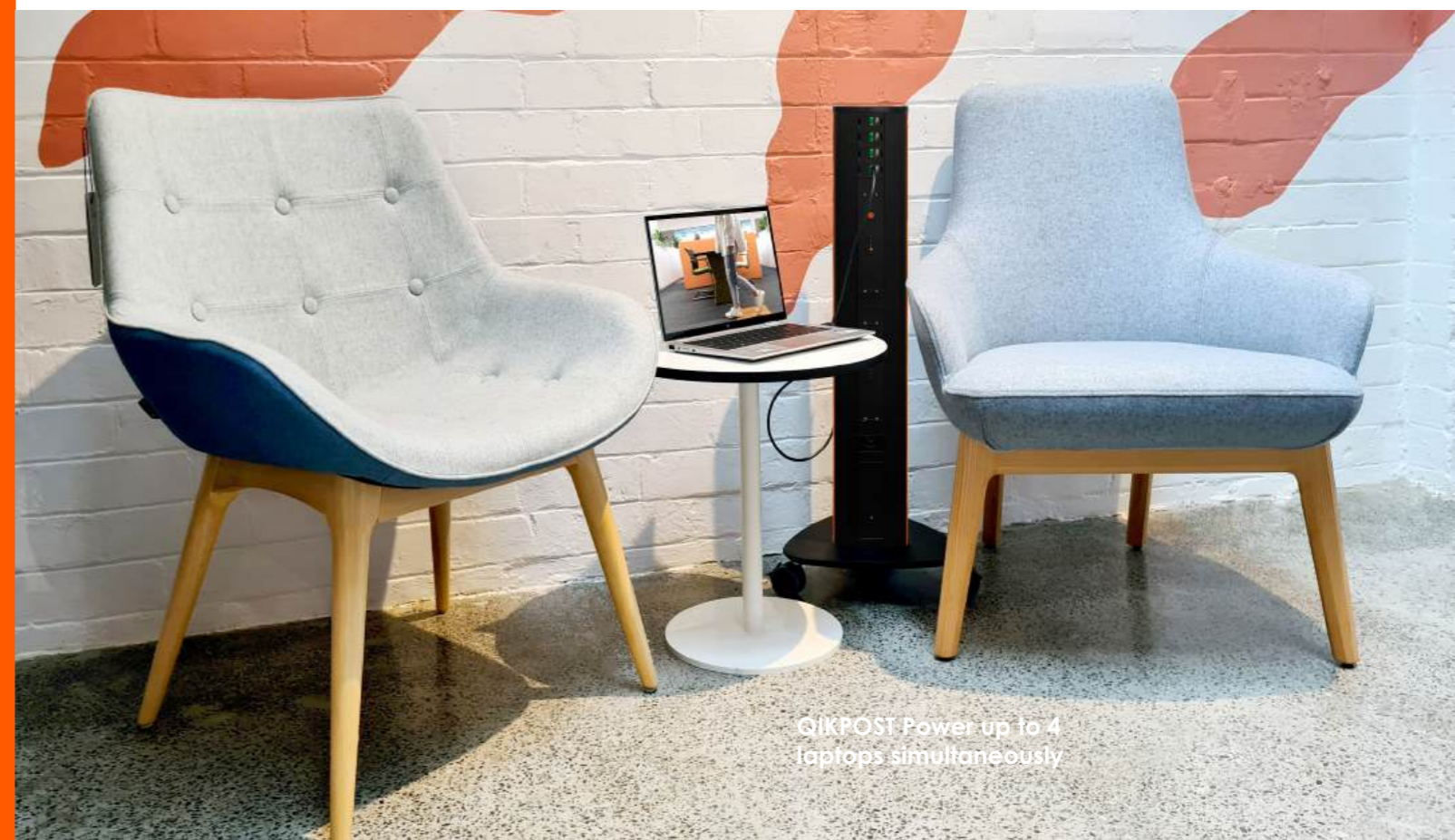
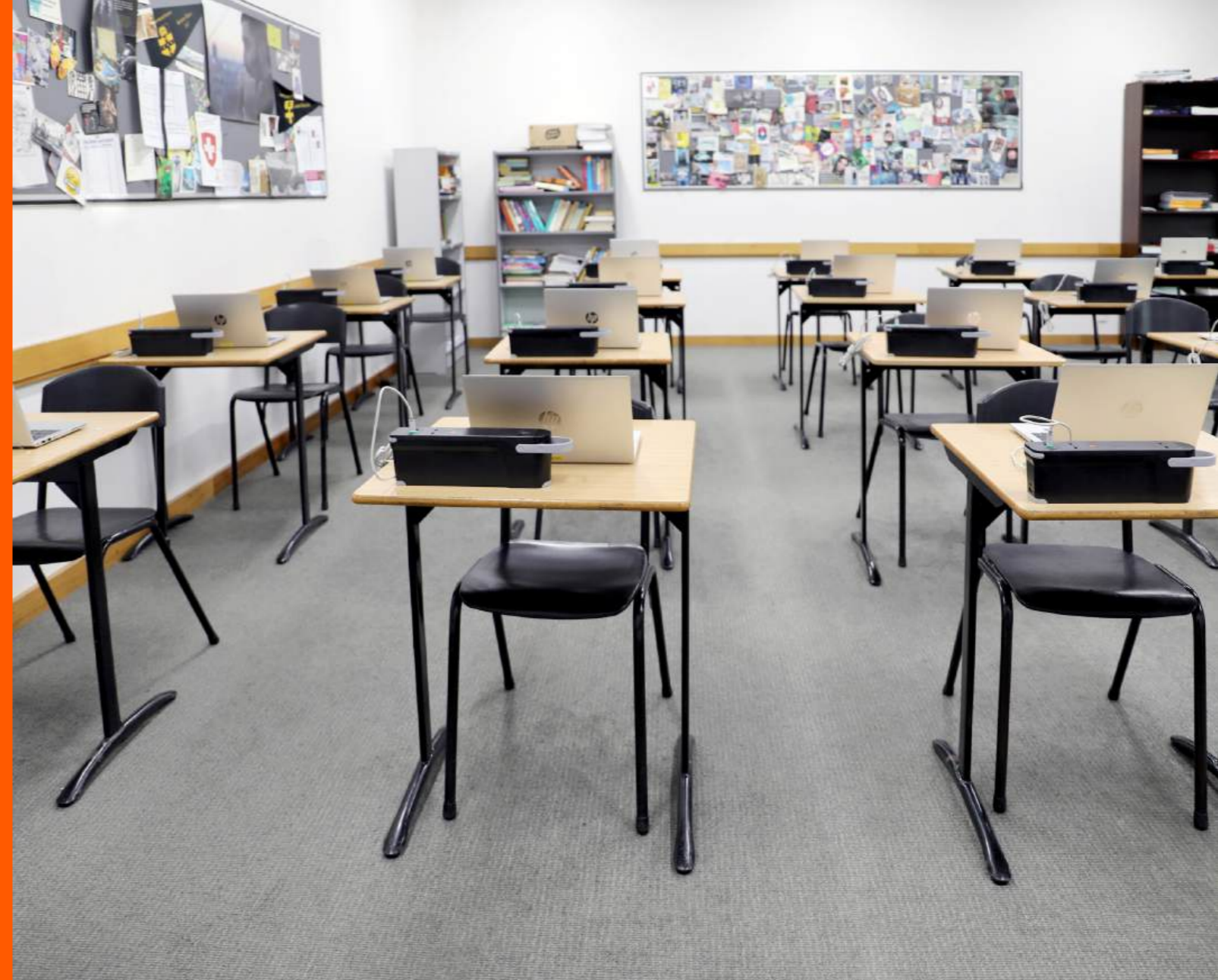
The solution was the OE Elsafe QIKPAC CARRY power bank, a commercial grade portable battery at the heart of the award winning ANIMATE series. Sydney Grammar School has invested in and is pleased to be using their own set of QIKPAC CARRY, effectively reducing the previous laborious three-day exam room set-up to a simple two-hour task.

MAXIMISE INVESTMENT

Sydney Grammar School have maximised their investment by using the same QIKPAC batteries in the library and staffing areas. Additional mobile power has been added in the form of QIKPOST a mobile "power tower" that can be moved to anywhere power is needed.

WHY QIKPAC CARRY / QIKPOST?

Designed for the commercial space, a single QIKPAC CARRY power bank will provide up to 28 hours of laptop power from a single charge. The speed of set up and pack down and the cable free solution gave the teachers back valuable time and ensured a safe space for students during exam time.



wait, there's more!



scan to discover how QIKPAC
CARRY can transform your space

visit us

OE
Unit 2 / 11-17 Wilmette
Place, Mona Vale,
NSW, SYDNEY

get in touch

www.oeelsafe.com.au/animate
sales@oeelsafe.com.au
1300 357 233

www.oeelsafe.co.nz/animate/
sales@jackson.co.nz
+ 64 9 634 3376



TUF-R, proud winner of the
Australian Business ECO
INNOVATION Award for 2023



ANIMATE, proud winner of
the Australian Business NEW
INNOVATION Award for 2022