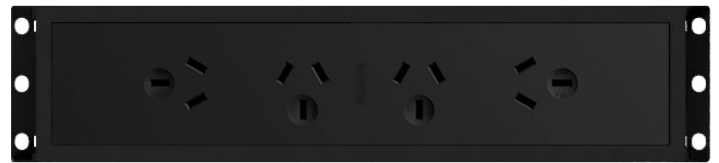


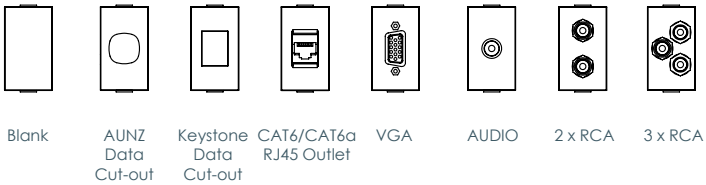
QikBOX is ideal for temporary or permanent power provision below the desk. QikBOX is compatible with OE Elsafe QikFIT power, data and AV modules for flexibility in configurations.

The QF45 size QikBOX is designed for on-site configuration and fast installation. Panel mount or sit in a basket, QikBOX is the cost effective way to provide services to the workspace.

QikBOX comes with fixing brackets for quick and easy installation using screws.



Common Modular Components



QF5 Tiles to provide Data and AV solutions - see website for more options

Features

Configuration:

QikBOX is available in Power only / Data only / Combined (Power, TUF, Data & AV).

Construction:

FR-ABS plastic.

Power Entry / Exit:

Male/Female Wieland GST18/3 installation couplers depending on unit configuration.

Testing:

Factory assembled QikBOX modules are 100% tested for continuity, polarity, insulation & earth.

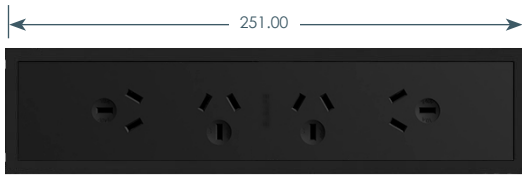
Soft Wiring (power):

Power via Wieland GST connector allows starter cables to be changed to suit requirements, especially useful during moves and changes (CHURN)

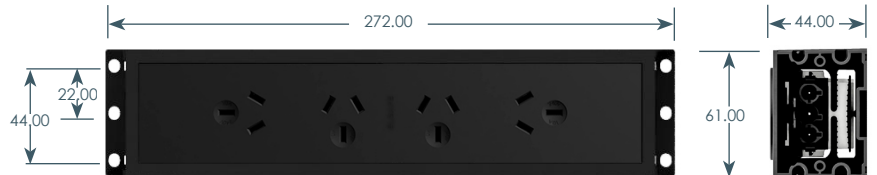
Soft Wiring (Data / AV)

As well as soft wired power, QikBOX can be supplied with pre-fabricated fly leads for DATA and AV.

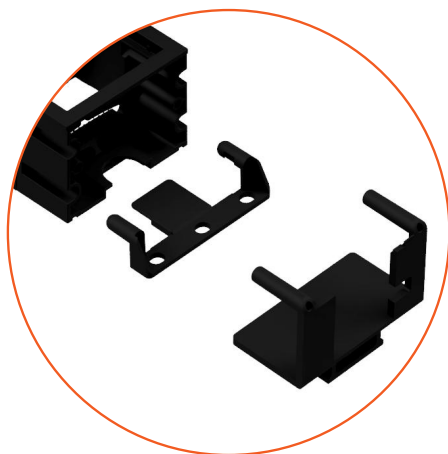
Qikbox dimensions



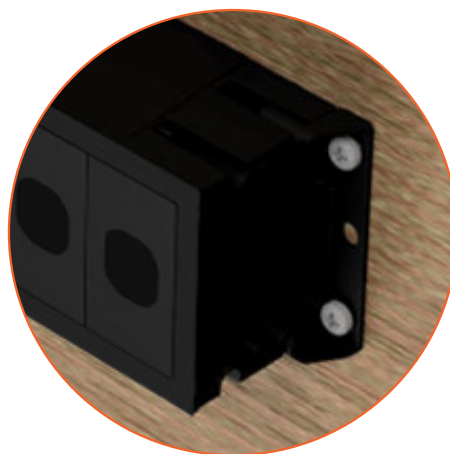
Qikbox dimensions with fixing brackets



Fixing Brackets



QikBOX Panel Mounted



QikBOX Fits Inside Cable Tray

