


qikFIT port

QIKFIT PORT has been designed to provide a low profile surface power solution for commercial spaces. Quick and easy to install, QIKFIT PORT can be fitted with OE's TUF-R HP USB charging modules, QF5 Data and AV modules, or OE's ARC 15W wireless smartphone charging modules.

Designed to fit an industry standard Ø80mm aperture cutout, QIKFIT PORT can be supplied preconfigured with your choice of QF5 modules or ARC wireless smartphone charging as part of a component kit for onsite configuration.

When fitted with TUF-R HP USB charging modules, QIKFIT PORT will power up to four devices, including two laptops. TUF-R HP modules are powered by a PSU (power supply unit) or a QIKPAC battery discreetly fitted under the surface, via a GST08 power cable.



QIKFIT PORT fitted with an ARC wireless 15W fast smartphone charging module.



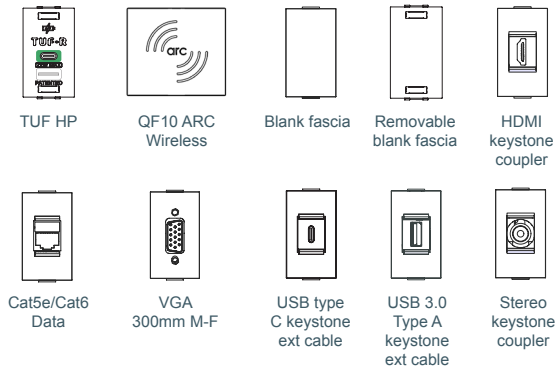
QIKFIT PORT fitted with TUF-R HP USB laptop and smartphone charging modules.

FEATURES

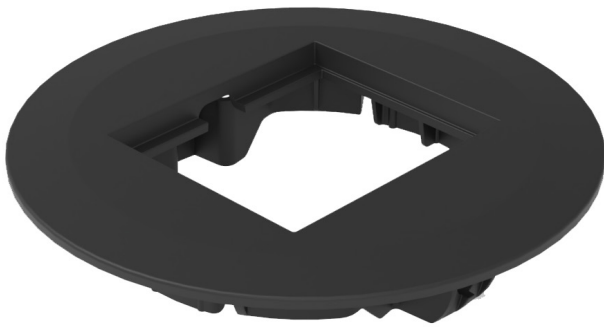
- Low-profile minimalist design in black or white
- TUF-R HP high power USB charging option
- ARC wireless 15W fast smartphone charging option
- Fits a standard Ø80mm grommet aperture cutout
- Wide range of Data & AV options

qikFIT port TECHNICAL

COMMON COMPONENTS

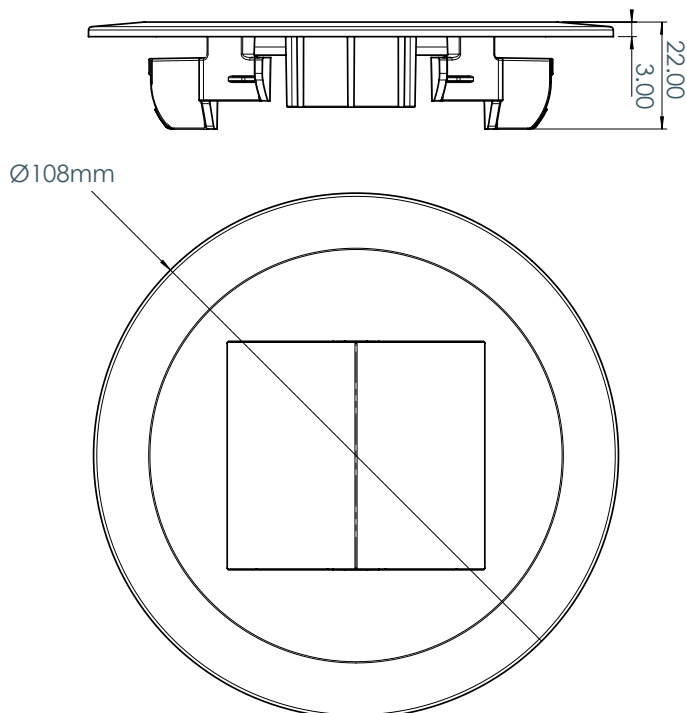


For other Data / AV options please enquire



QIKFIT PORT will accommodate two options from the QF5 range of data / AV, USB charging modules or one QF10 ARC 15W wireless charging module.

QIKFIT PORT DIMENSIONS



FEATURES

Configuration:

QIKFIT PORT is compatible with the following QF5 modules:

- TUF-R HP USB laptop, tablet and smartphone charging*
- QF10 ARC wireless 15W fast charging module
- HDMI keystone coupler
- 3.5mm stereo keystone coupler
- Cat5e/Cat6 data
- VGA 300mm M-F
- USB type C or USB 3.0 Type A keystone ext cable
- Blank fascia / removeable blank fascia

*TUF-R HP modules are powered by a PSU (power supply unit) or a QIKPAC battery discreetly fitted under the surface. Connect via a GST08 power cable, 3 pin plug or JCooupler.

Construction

High-strength and flame retardant polycarbonate.

Installation

QIKFIT PORT fits into a standard Ø80mm grommet hole and is securely held in place by two screws. QF05 modules come with built-in retaining clips that click into QIKFIT PORT for easy installation.

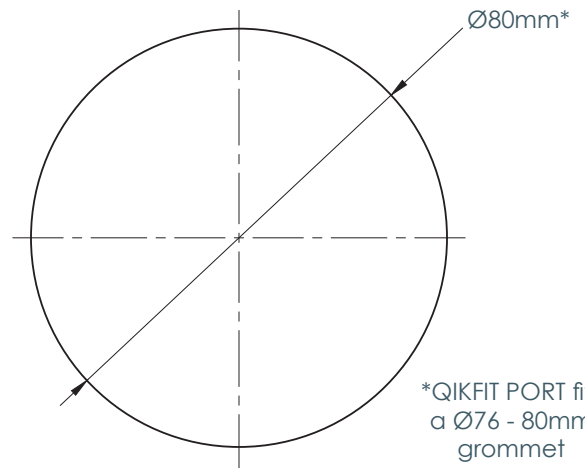
Colours

Black or White (RAL9003)

Quality and Testing:

QIKFIT PORT is manufactured using quality controlled components and practices and if ordered preconfigured, is 100% tested before dispatch:

- Visual: Configuration and appearance.
- USB charger: Output voltage and resistance
- Data and AV: All sockets continuity tested with batch performance testing.

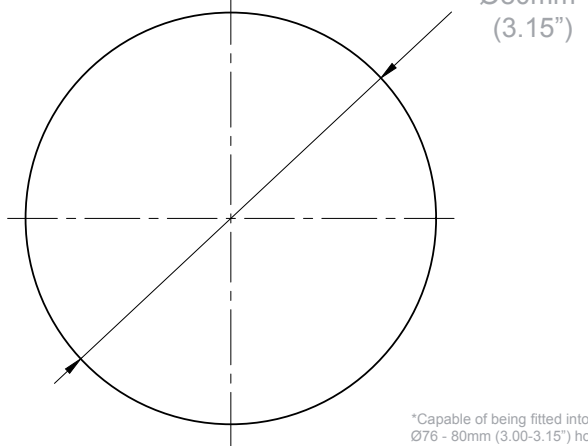


*QIKFIT PORT fits a Ø76 - 80mm grommet aperture cutout

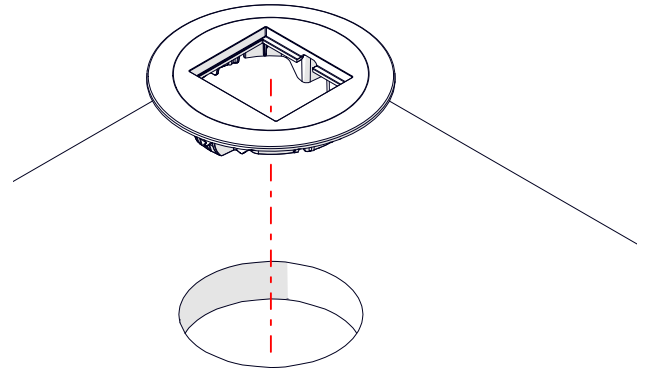
qikFIT port TECHNICAL

INSTALLATION

Cutout Dimensions



- 1 Place QF PORT into 80mm* (3.15") grommet hole

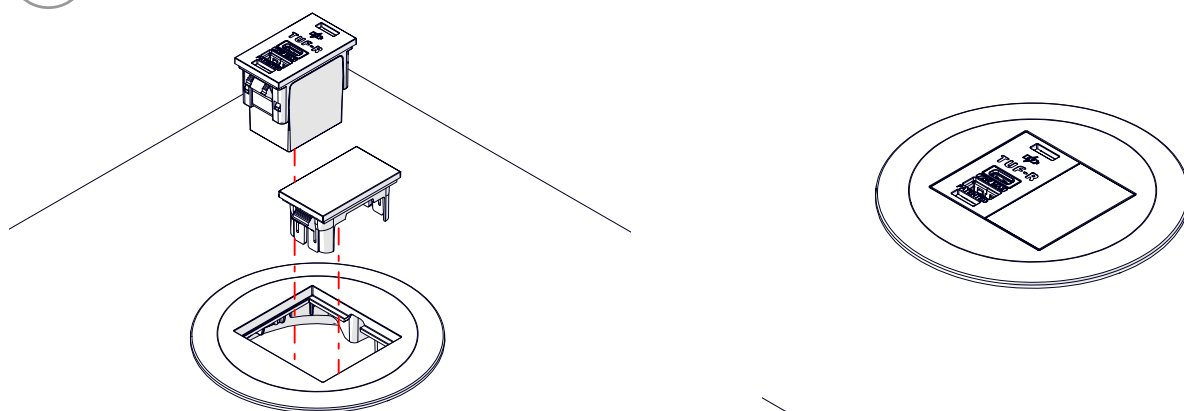


- 2 Secure in place using screws



*Ensure screws are suitable for the surface being mounted to, OE accept no responsibility for damaged surfaces if the screws used are not suitable

- 3 Clip chosen QF5 fascias* into place



*Compatible QF5 fascias can be viewed on the PORT web page