

# Volcán de Targoro



The new 111 metre long Volcán de Targoro has been delivered to her new Spanish operator Naviera Armas sporting a smart new fitout that caters for both guest comfort and guest connectivity.

Naviera Armas SA will operate the Volcán de Targoro on Spanish routes, including the Canary Islands.

Volcán de Targoro was built by Incat, an Australian shipbuilder renowned for the construction of highspeed lightweight catamarans.

For guest connectivity Incat have fitted OE Elsafe PHASE power modules which have been conveniently undermounted at the end of the guest tables.

PHASE is an exciting new concept in power provision that is ideal for providing convenient but discreet power and mobile charging for guests in public spaces, terminals, airports, ferries and hospitality spaces.

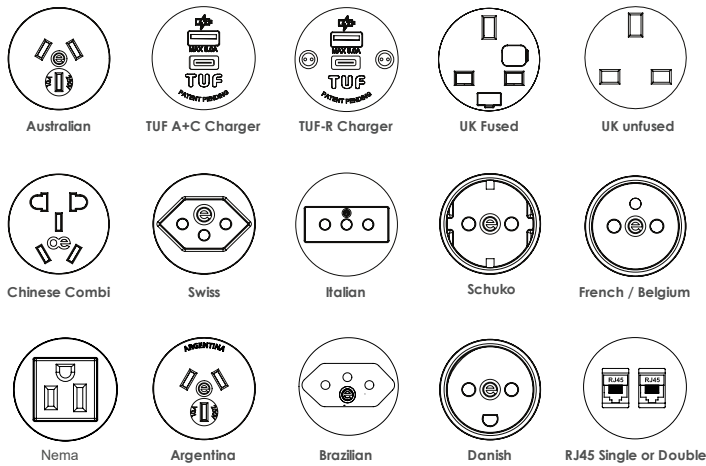
Compact, robust and unconstrained by convention, you will find PHASE with its innovative concealed mounting bracket and through back or through base cable entry options, simple to securely install on or under the surface of tables and soft furnishings.

PHASE is available in either white or black with your choice of grey or black socket fascias. The two socket apertures can be configured with a combination of Australian or international power and our patented TUF USB fast charging modules which are also [replaceable](#) by anyone using a simple tool.



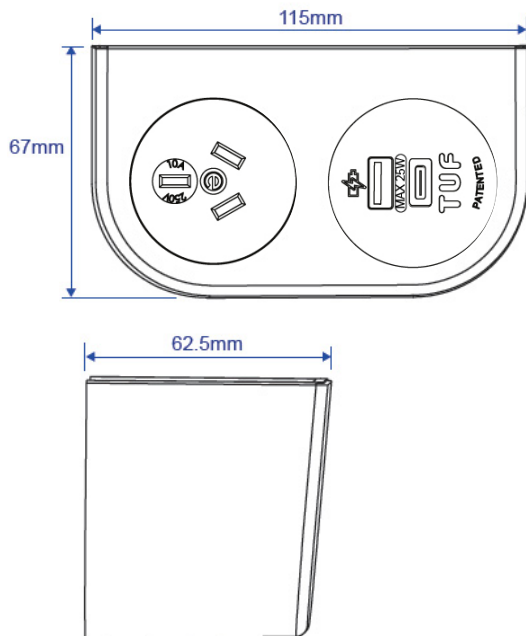
# lets get TECHNICAL

## Choose your preferred power options (2)



Other components are available. Please see online for details

## PHASE Dimensions



## PHASE power module features

### Configuration:

The PHASE double socket apertures may be configured with our class leading TUF-PD Twin USB fast charger or an AC power socket from the OE Elsafe range. PHASE can also be configured with data and/or AV sockets. Through back or through base power and data cable entry options.

### Construction:

PHASE comprises high-strength and flame retardant polycarbonate main body and back mouldings, plus a nylon slide-on/clip-on universal mounting bracket. OE Elsafe snap-in "42mm" modular power socket/TUF fascias are moulded from polycarbonate. PHASE can also be supplied with custom metal fixings, e.g. to attach to steel sections in soft furnishings.

### Quality and Testing:

All PHASE units are manufactured using quality controlled components and practices and are 100% tested before dispatch

- Visual: Configuration and appearance
- Power sockets: Continuity, polarity, insulation & earth
- USB charger: Output voltage and resistance
- Data & AV: All sockets continuity tested with batch performance testing

"we test every pin in every socket in every module".

### Soft Wiring (power):

Hardwired to either a mains AC plug, or a male Wieland GST connector for "soft wiring" e.g. connection to an under desk power module or direct to a floor socket via a starter cable.

**Certified to AS/NZS 60950-1 & EN61204-3/CISPR22**

## ALSO POPULAR FOR PUBLIC SPACES

