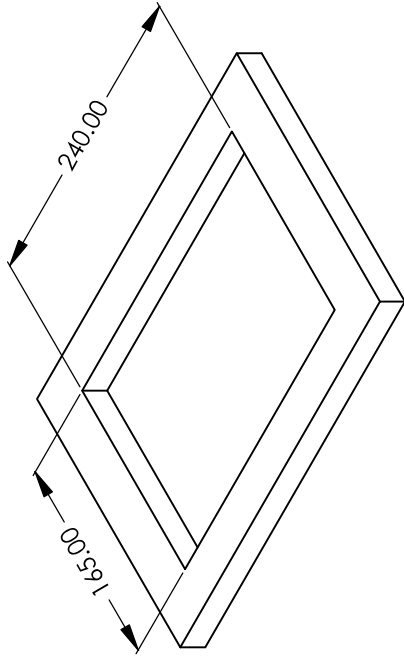


1

Cut hole in floor:
L 240.0mm
W 165.0mm



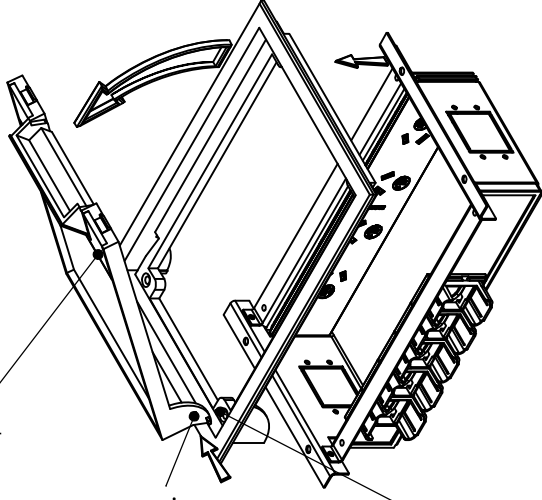
2

Cardinal Floor Box Raised Floor Installation Instructions



2A. Lift the handle and raise the lid until it stops.

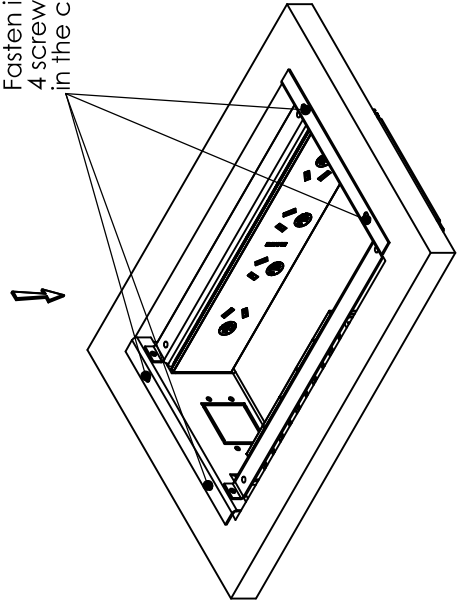
2B. Press inwards on plastic hing locks on both sides of the frame and remove lid.



3B. Unscrew 4 screws in the frame and lift the frame off the cardinal.

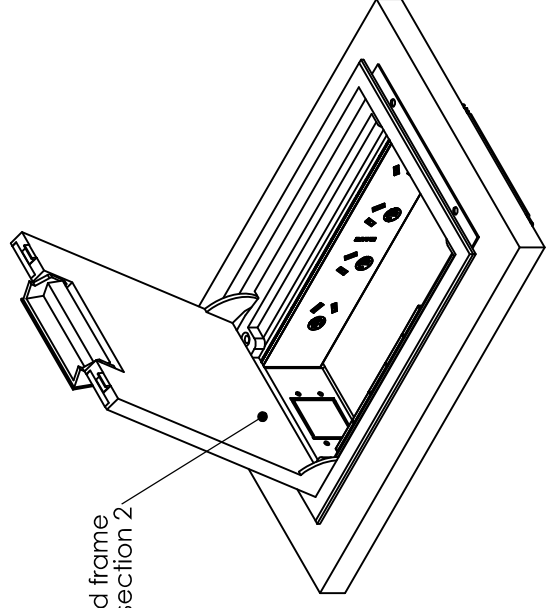
3

lower the cardinal chassis into the cut out in the floor. Fasten in place by using the 4 screw holes provided in the chassis.



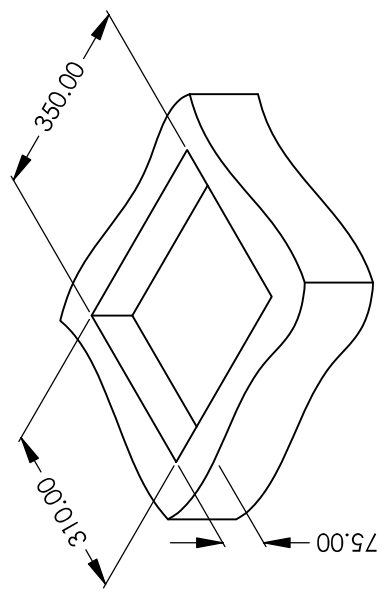
4

Re-attached lid and frame in reverse order of section 2.



1

Minimum space required to install screed box:
350.0mm L
310.0mm W
75.0mm D



2

2.1 Remove temporary lid by un-screwing the 4 screws on the top of the temporary lid

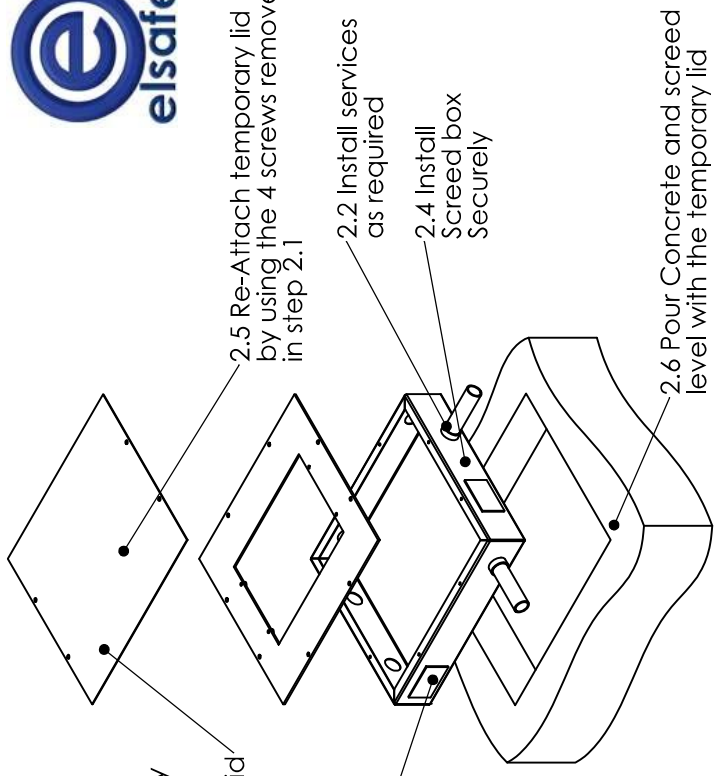
2.3 Cover any open conduit holes

2.5 Re-Attach temporary lid by using the 4 screws removed in step 2.1

2.2 Install services as required

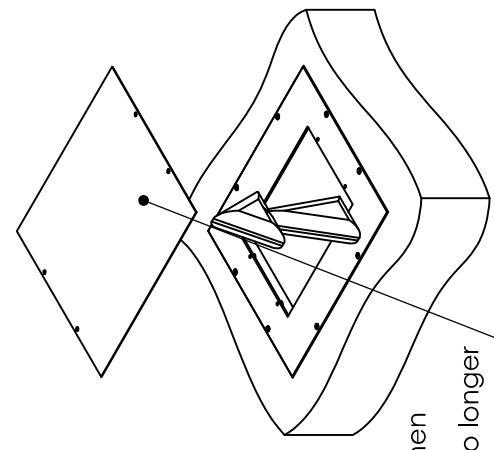
2.4 Install Screed box Securely

2.6 Pour Concrete and screed level with the temporary lid

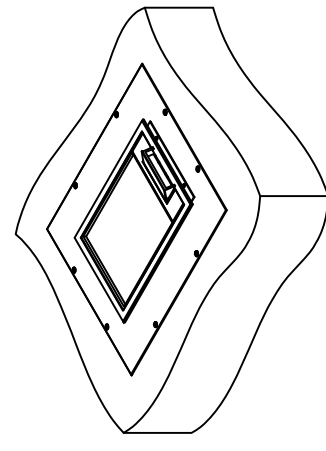


3

Once concrete is dry remove the temporary lid and screed support then install Cardinal Floor box. Discard the temporary lid as this is no longer required



4



Correctly installed screed box and cardinal Floor Box