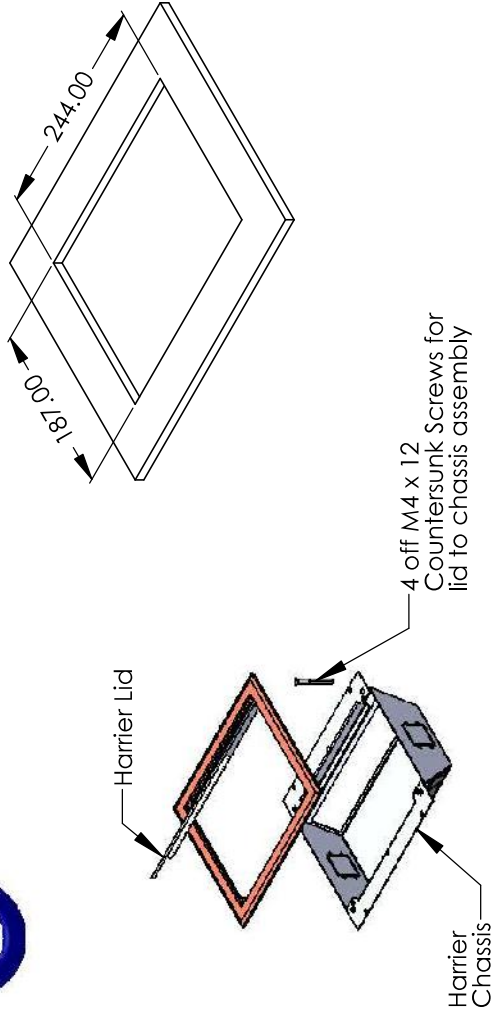


# Harrier Standard Assembly

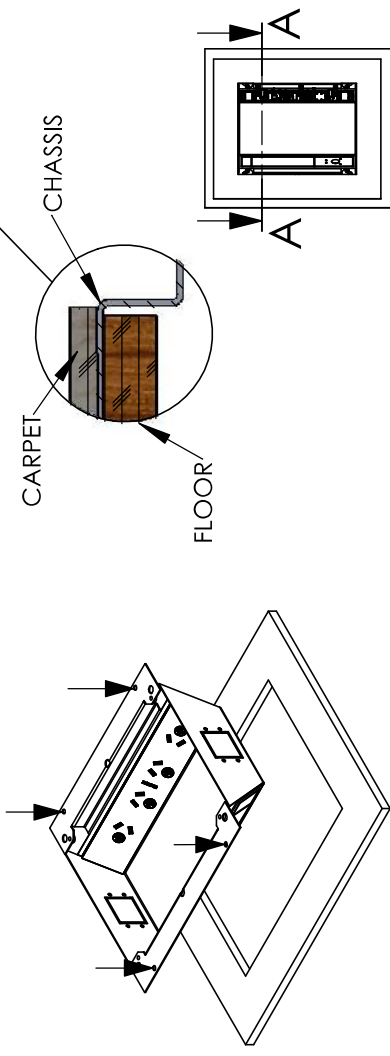
1

Cut hole in floor.



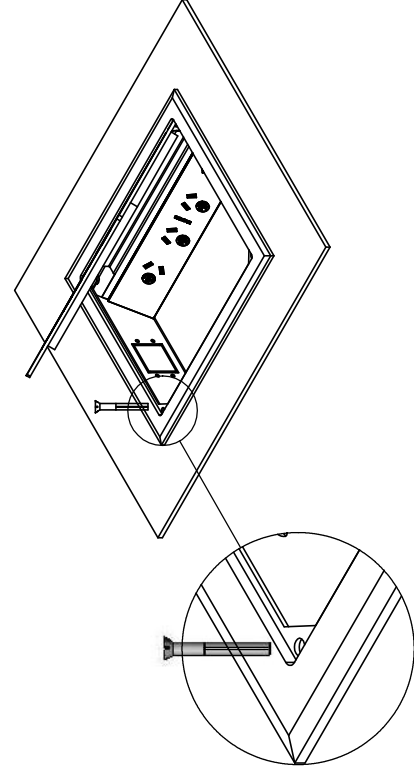
2

Insert the Elsafe Harrier chassis into the floor cut-out, fasten in place using 4 screws (not included) to suit the flooring material. Lay the carpet over the chassis flanges and into the lid insert.



3

Use the 4 screws provided to fasten the lid assembly to the chassis.



4

Correctly installed  
Harrier floor box.

