



PEAK with its eye-catching “floating surface” design, is an elegant new approach for providing power and data connectivity in meeting tables. Choose PEAK in classic brushed stainless steel with black sockets or in matt white with grey sockets for a more contemporary look.

With 6 or 8 outlets, PEAK can be configured with a wide range of International AC sockets, the class leading OE Elsafe TUF-PD USB fast charger and a range of Data and AV options.

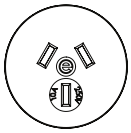
PEAK is simple to install and despite a low visual profile, requires only 50mm mounting depth. PEAK is supplied with four M8 screw clamps which are all that is needed to fix Peak securely in place.

FEATURES

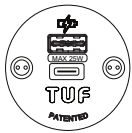
- Sleek spill proof profile
- Australian and International AC sockets
- OE Elsafes TUF-PD USB charger option
- Data and AV compatible
- 50mm mounting depth



COMMON COMPONENTS



Australia /
New Zealand



TUF
REPLACABLE
USB CHARGER



TUF-R HP
REPLACABLE USB
LAPTOP CHARGER*

*TUF-R HP must be paired with a PSU (power supply unit) and GST08 cable

Colour

Matt White (9003) top plate and grey socket fascias, or Brushed stainless steel top plate and black socket fascias

Power and Data configurations available

- Power or Data only
- Power and USB Fast Charging
- Combined (Power, USB Fast Charging & Data/AV)
- TUF-HP (high powered) USB Laptop Charging option
- International Sockets available on request

Reversible USB A Port: Accepts cable both ways.

Insulation: QikFIT modules with reinforced insulation.

Soft Wiring (power): Power hardwired to Wieland GST connector allows starter cables to be changed to suit requirements, especially during moves or changes (CHURN)

FEATURES

Construction

Socket frame: Brushed stainless steel or powder coated mild steel.

Body: Aluminium extrusion:

End caps: 3mm powder coated mild steel.

Power cord options

PEAK is available with either an OE Elsafe J Coupler or Wieland GST installation coupler for soft wired connection. Alternatively PEAK can be supplied with a national plug. Thermal overload will be required if more than 2 GPOs are required.

Quality and Testing

All PEAK units are manufactured using quality controlled components and practices and are 100% tested before dispatch.

- Visual: Configuration and appearance.
- Power sockets: Continuity, polarity, insulation & earth
- USB charger: Output voltage and resistance
- Data & AV: All sockets continuity tested with batch performance testing.

Certifications

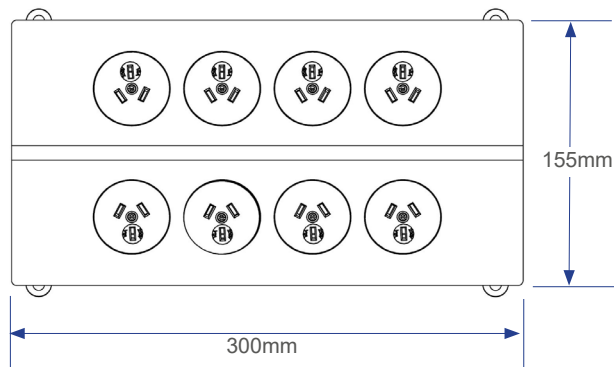
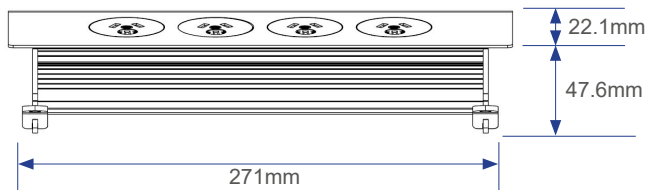
AC Power sockets are certified to the appropriate national/international standard eg: BS1363/5733, IEC60884-1, CCC, AS/NZS3112

OE TUF5A: Certified to IEC60950-1/UL60950-1

Peak is designed and intended for commercial use.

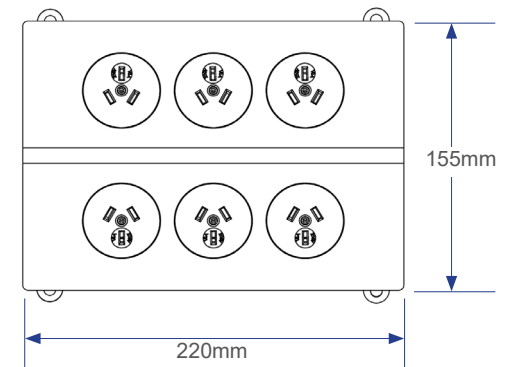
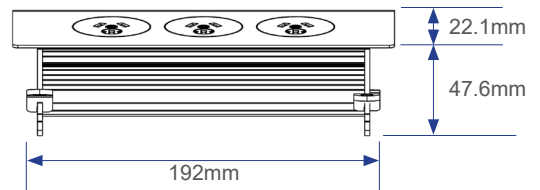
PEAK 80 Dimensions

PEAK 80 fits a 272mm x 132mm cut-out*



PEAK 60 Dimensions

PEAK 60 fits a 193mm x 132mm cut-out*

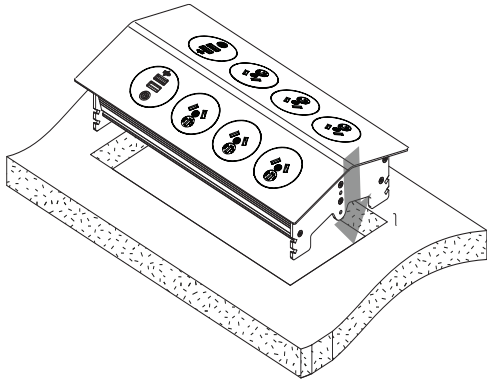


*Corners of cut-outs must not be radiused. Suitable for table tops 10mm-30mm thick, and secured by the supplied 4x screw clamps.

peak FITTING

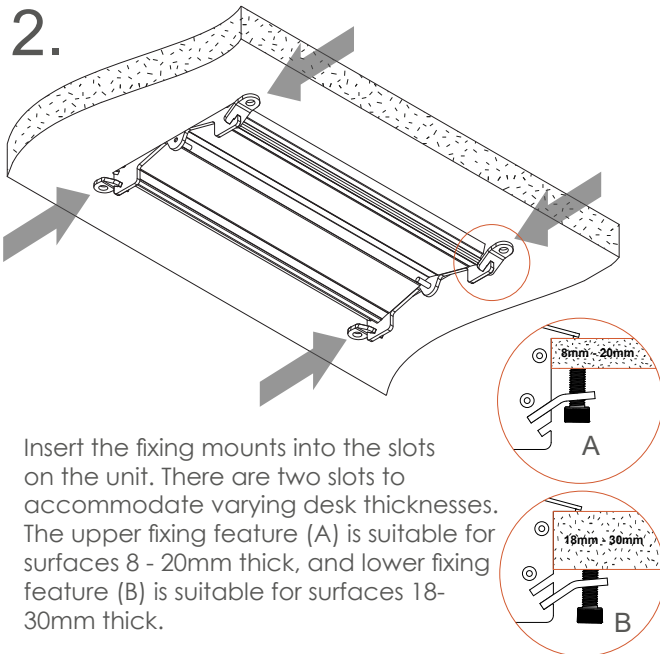
Fitting instructions

1.



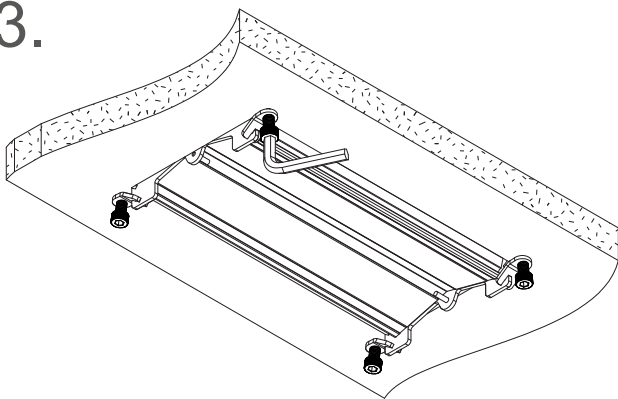
Place PEAK into the cutout ensuring that any cables are not trapped in the process.

2.



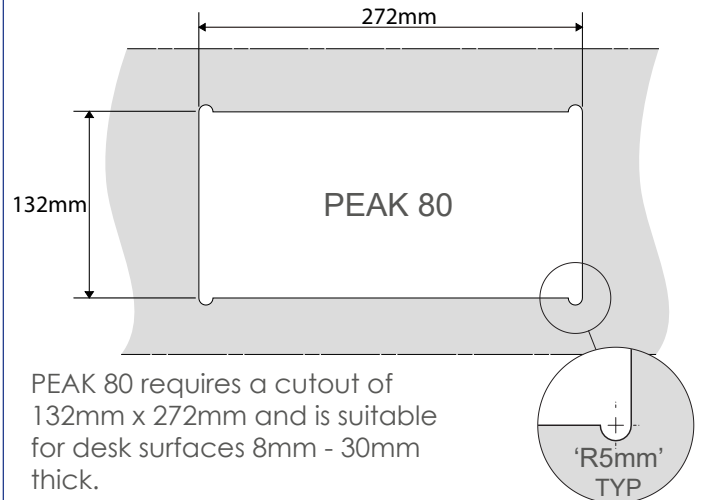
Insert the fixing mounts into the slots on the unit. There are two slots to accommodate varying desk thicknesses. The upper fixing feature (A) is suitable for surfaces 8 - 20mm thick, and lower fixing feature (B) is suitable for surfaces 18-30mm thick.

3.

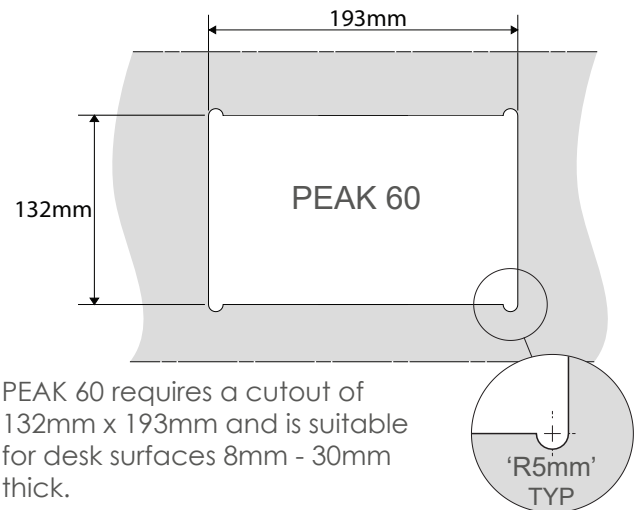


Screw the provided M8 x 20mm cap head fixing bolts through the fixing mounts until the unit is secure. Ensure that your cables are suitably managed - Solutions are available from OE Elsafe Australia.

PEAK cut-out dimensions



PEAK 80 requires a cutout of 132mm x 272mm and is suitable for desk surfaces 8mm - 30mm thick.



PEAK 60 requires a cutout of 132mm x 193mm and is suitable for desk surfaces 8mm - 30mm thick.



Do not overtighten as table-top and/or Peak unit may become damaged

TUF-R TECHNICAL



TUF-R and TUF-R HP are quick and simple to replace without the need for an electrician or turning off the power. The unique and patented benefit of being replaceable makes TUF-R perfect for areas of high usage.

CLICK to see how quick and easy TUF-R / TUF-R HP is to replace.

Upgrading or replacing the TUF-R module and not the whole product saves time, money, and significantly reduces waste.

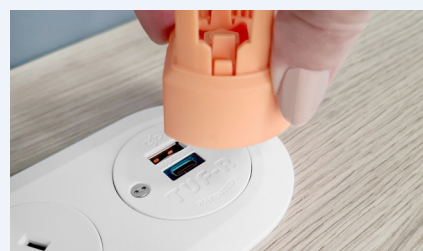
Being replaceable also allows TUF-R to be upgraded in the future to incorporate the latest technologies.



TUF replacing tool.



Insert the 'snake eye' bit into the tool as shown.



Use the tool to unscrew the 'snake eye' screws.



Lift off the TUF fascia



Insert the second part of the TUF replacing tool into the TUF as shown, until a click is heard.



Pull the TUF cartridge out from the unit.



Unwrap and insert the new TUF cartridge, paying close attention to the orientation of the cartridge to the blue housing.



Push the cartridge into the blue housing until a click is heard.



Place the TUF fascia back into position.



Using the TUF replacing tool and 'snake eye' bit, screw the snake eye screws back into place