



The compact and sleek PEGASUS is perfect for a minimalist approach to workstation design and connectivity within the office.

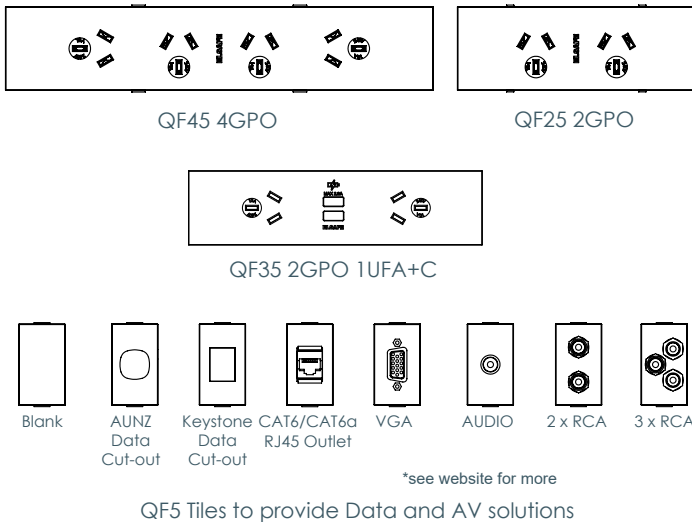
PEGASUS takes up less than 50mm of desk space yet used in conjunction with our current OE Elsafe QIKFIT range, PEGASUS provides a comprehensive solution for power, TUF charging, data and AV connectivity at the workstation.

Available in 2 standard sizes, PEGASUS delivers a range of different configurations that will provide a cost effective solution.

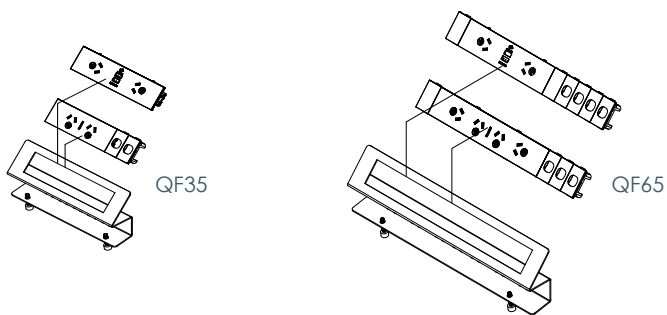
Standard colours: White Powdercoat body - white or grey fascias. Other colours available on request.



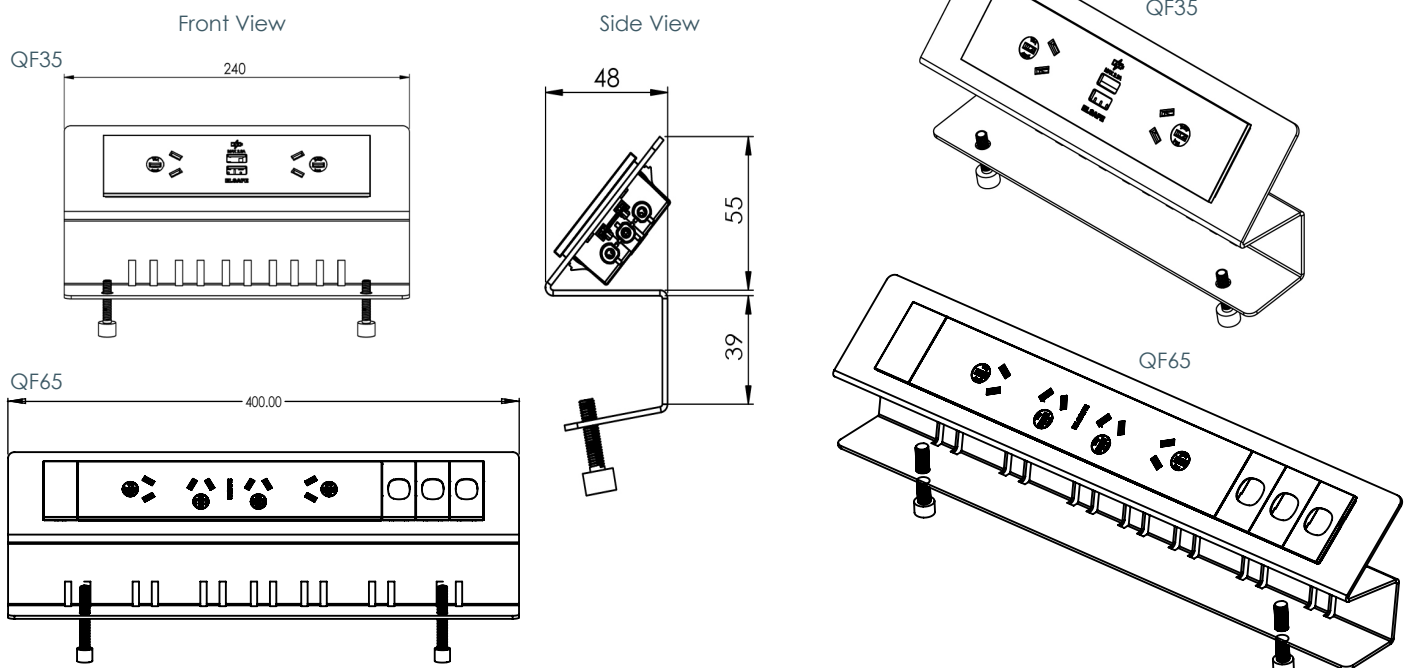
Common Modular Components*



Expanded View



Pegasus Sizes



Features

Configuration:

Power only / Data only / Combined (Power, USB Charging & Data)

Insulation:

Reinforced insulation

Soft Wiring (Power):

Power hardwired to Wieland GST connector allows starter cables to be changed to suit requirements, especially useful during moves and changes (CHURN).

Soft Wired (Data):

As well as soft wired power, PEGASUS can be fitted with soft wired data.

Testing:

100% testing - continuity, polarity, insulation and earth.

Fixing Options:

Standard Desk Bracket - tighten by hand from under desk. Table thickness 15-35mm.