



PHASE is an exciting new concept for power provision in commercial spaces. Mount above or below surface for easy access to power, data and USB charging.

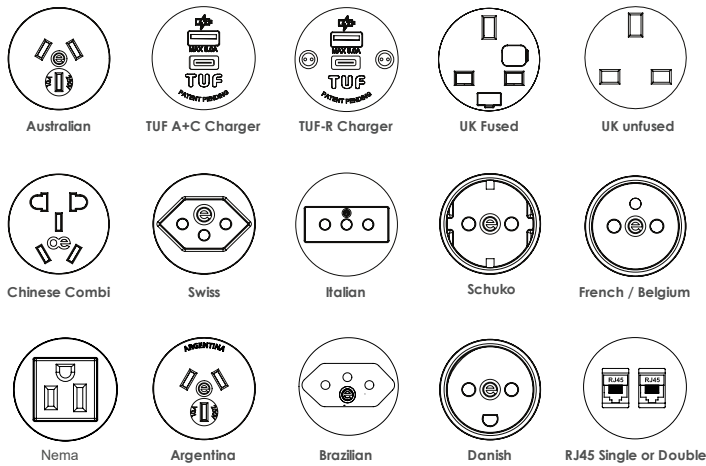
Compact, robust and unconstrained by convention, you will find PHASE with its innovative concealed mounting bracket and through back or through base cable entry options, simple to securely install on or under desks, tables, and soft furnishings.

PHASE is available in either white or black with your choice of grey or black socket fascias. The two socket apertures can be configured with a combination of power, TUF USB fast charging, or data sockets. Unique to OE is the reversible USB A port, ensuring a first-time connection every time. TUF HP USB C laptop charging is optional.



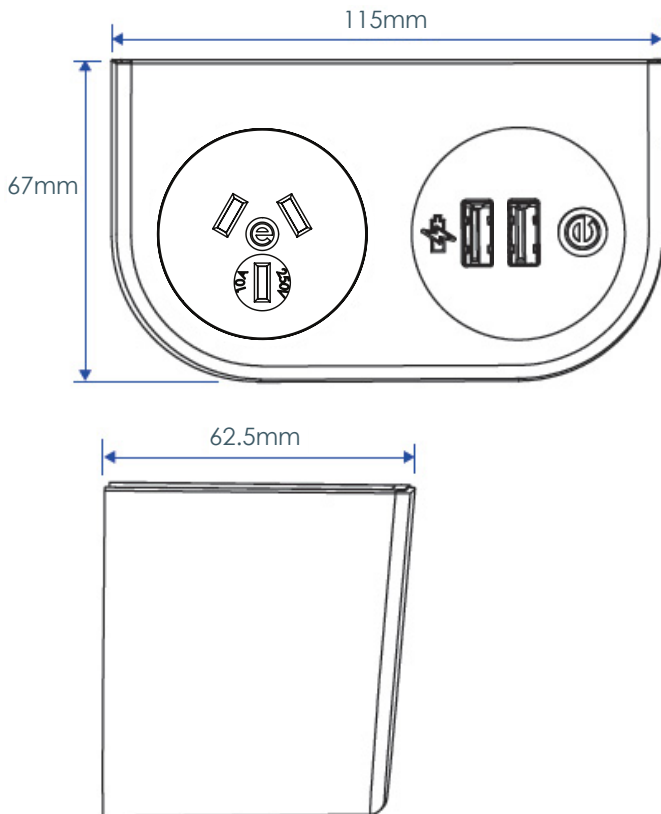
- Stylish, compact design
- On or under fitting solutions
- Hidden fitting bracket
- TUF USB A+C fast charging
- Available in black or white

Common Modular Components*



Other components are available. Please see online for details

Unit Dimensions



Features

Configuration:

The PHASE double socket apertures may be configured with our class leading TUF-PD Twin USB fast charger or an AC power socket from the OE Elsafe range. PHASE can also be configured with data and/or AV sockets. Through back or through base power and data cable entry options.

Construction:

PHASE comprises high-strength and flame retardant polycarbonate main body and back mouldings, plus a nylon slide-on/clip-on universal mounting bracket. OE Elsafe snap-in "42mm" modular power socket/TUF fascias are moulded from polycarbonate. PHASE can also be supplied with custom metal fixings, e.g. to attach to steel sections in soft furnishings.

Colours:

- Body - black or white
- Power socket fascia - black or grey
- TUF fascia - black or grey
- Data/AV fascia - black or grey
- Power cable - black or white

Quality and Testing:

All PHASE units are manufactured using quality controlled components and practices and are 100% tested before dispatch

- Visual: Configuration and appearance
- Power sockets: Continuity, polarity, insulation & earth
- USB charger: Output voltage and resistance
- Data & AV: All sockets continuity tested with batch performance testing

"we test every pin in every socket in every module".

Soft Wiring (power):

Hardwired to either a mains AC plug, or a male Wieland GST connector for "soft wiring" e.g. connection to an under desk power module or direct to a floor socket via a starter cable.

PHASE is designed and intended for commercial use.

Certified to AS/NZS 60950-1 and EN61204-3/CISPR22

