

platinum / prism

The ultimate solution for power and data distribution to desk tops, boardroom and conference tables, where ease of access to utilities is paramount.

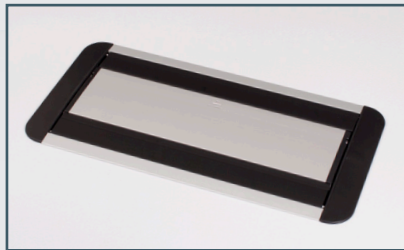
PLATINUM and PRISM table boxes are easy to install into new or existing furniture. Both can be fitted with OE's full range of power, data/AV and TUF-R USB laptop and mobile charging modules.

PLATINUM and PRISM table boxes can be accessed from both sides of the workspace.

Both table boxes can be closed when most connections (including transformer plugs) have been made enabling a flat work surface.

PLATINUM is finished in silver and grey as standard. PRISM is finished in silver and black as standard. Other finishes available subject to order quantity.

PLATINUM and PRISM are designed and intended for commercial use.



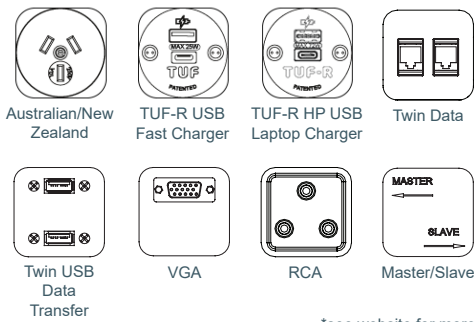
PRISM

PLATINUM



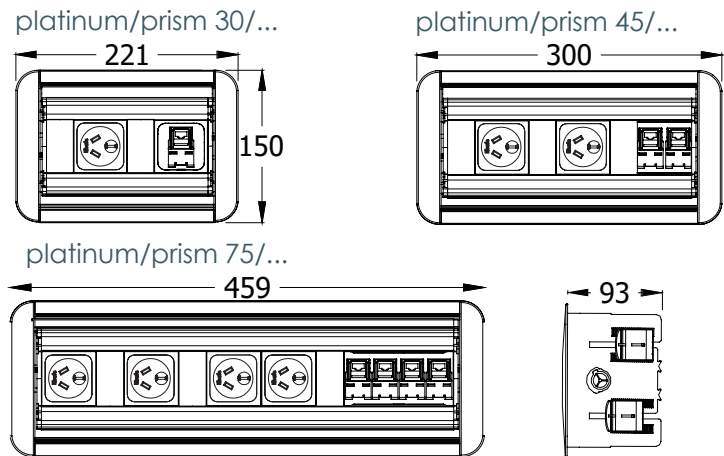
platinum / prism TECHNICAL

COMMON COMPONENTS

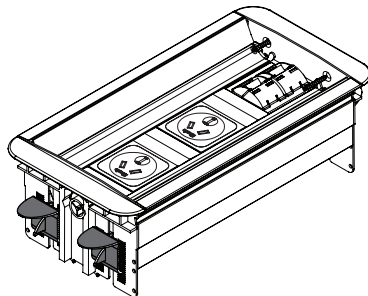


*see website for more

Standard Unit Lengths

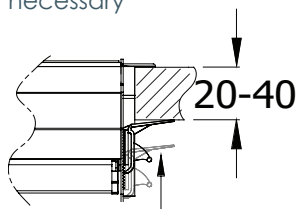
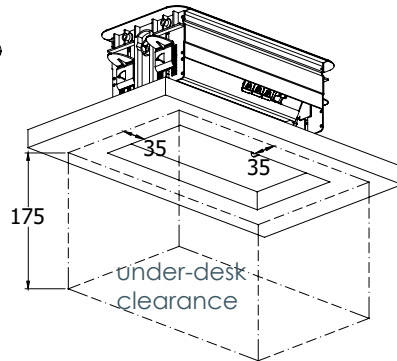


Installation



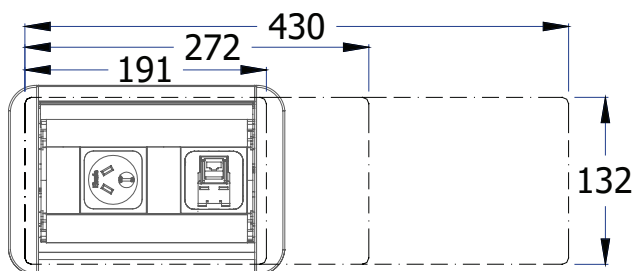
Ratchet fixing mechanism - simple & effective, no tools necessary

Optional screw holes if ratchet clips not suitable



Thinner surfaces can be accommodated with rubber pads

Standard cut-out sizes



FEATURES

Power and Data configurations available

- Power or Data only
- Power and USB Fast Charging
- Combined (Power, USB Fast Charging & Data/AV)
- TUF-HP (high powered) USB Laptop Charging option
- International Sockets available on request

Reversible USB A Port: Accepts cable both ways.

Insulation: QikFIT modules with reinforced insulation.

Testing: 100% testing – continuity, polarity, insulation & earth.

Soft Wiring (power): Power hardwired to Wieland GST connector allows starter cables to be changed to suit requirements, especially during moves or changes (CHURN)

Soft Wired Data: As well as soft-wired power, PLATINUM / PRISM can accommodate soft wired data. Using our inline couplers, data cables can be changed "on-site" to accommodate changes in length often associated with churn

Protection: Power cleaner, surge protector, MCB, RCD, RCBO, etc.

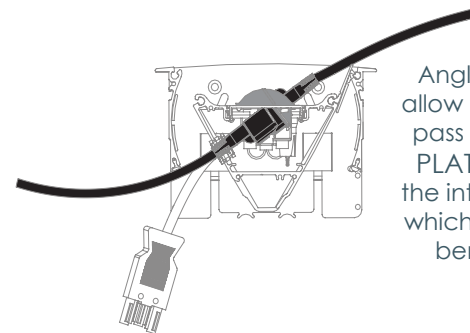
Conferencing features

Active Room Control

PLATINUM / PRISM can also be fitted with room control keypads allowing the user to control various functions around the room (e.g.: blinds, shutters, projection screen and lighting) directly from the Table Box.

Follow-me switch

Integration with industry standard VGA switchers to allow intelligent control of AV facilities by multiple delegates



Angled data fascias allow data cabling to pass straight through PLATINUM, ensuring the integrity of cables which have minimum bend radii (CAT5e, CAT6, etc.)

Other finishes available subject to order quantity.

Ph: 1300 ELSAFE | www.oeelsafe.com.au | sales@oeelsafe.com.au

TUF-R TECHNICAL



TUF-R and TUF-R HP are quick and simple to replace without the need for an electrician or turning off the power. The unique and patented benefit of being replaceable makes TUF-R perfect for areas of high usage.

CLICK to see how quick and easy TUF-R / TUF-R HP is to replace.

Upgrading or replacing the TUF-R module and not the whole product saves time, money, and significantly reduces waste.

Being replaceable also allows TUF-R to be upgraded in the future to incorporate the latest technologies.



TUF replacing tool.



Insert the 'snake eye' bit into the tool as shown.



Use the tool to unscrew the 'snake eye' screws.



Lift off the TUF fascia



Insert the second part of the TUF replacing tool into the TUF as shown, until a click is heard.



Pull the TUF cartridge out from the unit.



Unwrap and insert the new TUF cartridge, paying close attention to the orientation of the cartridge to the blue housing.



Push the cartridge into the blue housing until a click is heard.



Place the TUF fascia back into position.



Using the TUF replacing tool and 'snake eye' bit, screw the snake eye screws back into place